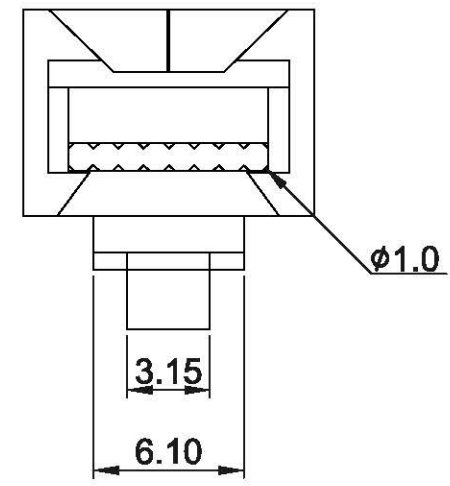
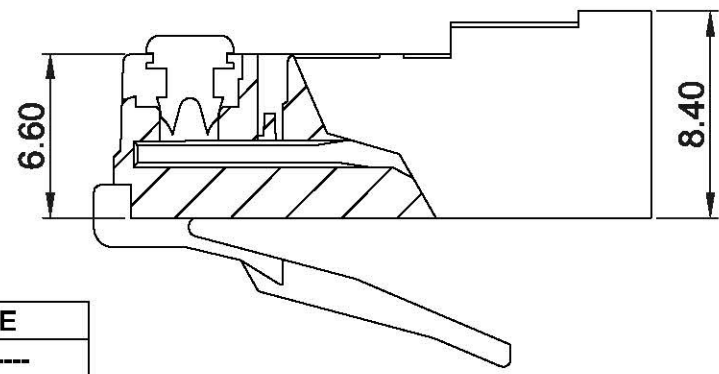
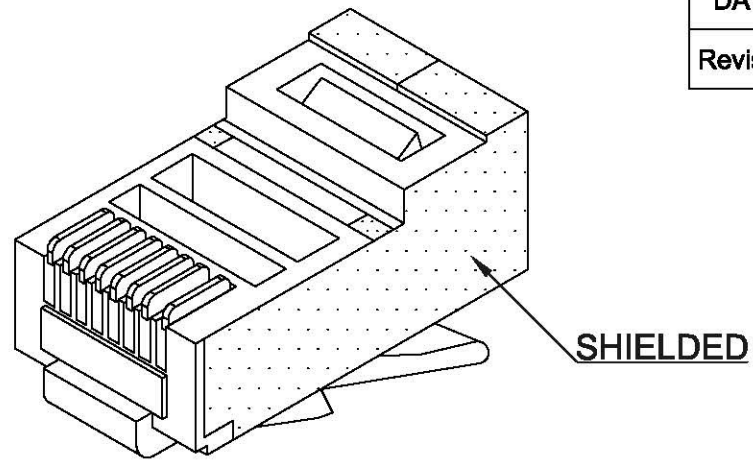
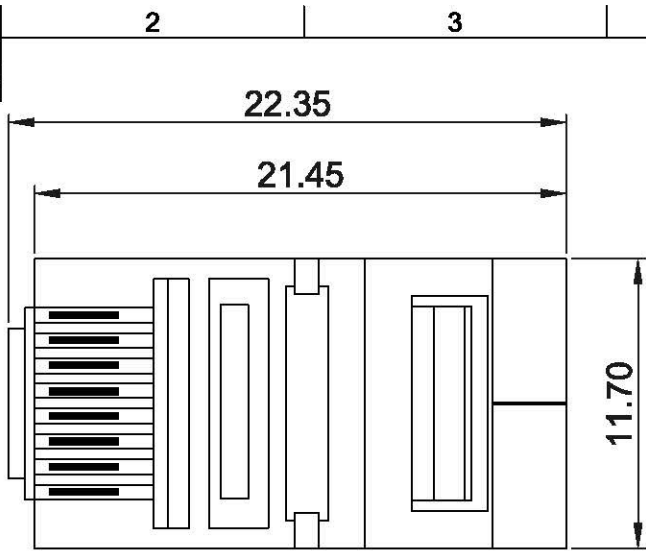


1  
ROHS Compliant

7	
DATE	2012/07/16
Revision	A



D

TOLERANCE	
.XXXX	---
.XXX	0.10
.XX	0.25
.X	0.38

<b>P/NO. SY-FRJ3-45-1</b>	
ITEM. Modular Plug	CO. SY
DR. Wakka 2012/07/16	S/N. SY-FRJ3-45-1
APPD. CHKD.	
FILE. SY-FRJ3-45-1	
www.allconnectors.de Tel.: 0049 711 7009503 70794 Filderstadt - Germany	
info@allconnectors.de Fax: 0049 711 7009504 Kettenerstr. 25	
SCALE /	
UNIT mm	SIZE A4

E

HOUSING		MATERIAL	
<input checked="" type="checkbox"/> PC UL94V-0 <input type="checkbox"/> PC UL94V-2		TYPE OF PLUG <input checked="" type="checkbox"/> SHIELD <input type="checkbox"/> UNSHIELD	
CONTACT		GOLD-PLATING	
PHOSPHOR BRONZE FINE GOLD PLATED OVER NICKEL		<input type="checkbox"/> 0.15U M/6U" MINIMUM <input type="checkbox"/> 0.38U M/15U" MINIMUM <input type="checkbox"/> 0.76U M/30U" MINIMUM <input checked="" type="checkbox"/> 1.27U M/50U" MINIMUM	
APPLICATION			
<input type="checkbox"/> UTP CAT.5E <input type="checkbox"/> UTP CAT.6 <input checked="" type="checkbox"/> STP CAT.5E <input type="checkbox"/> STP CAT.6 <input checked="" type="checkbox"/> SOLID <input type="checkbox"/> STRANDED			
REV.	DESCRIPTION	ENG.	APPROVAL
1	2	3	4

A

B

C

D

E

A

B

C

D

E