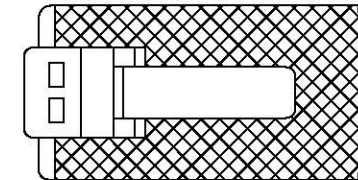
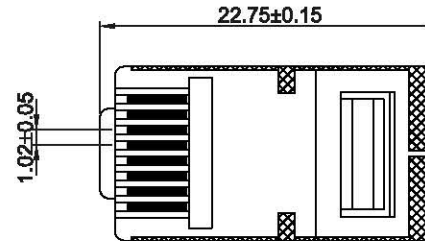
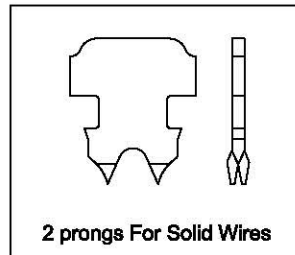
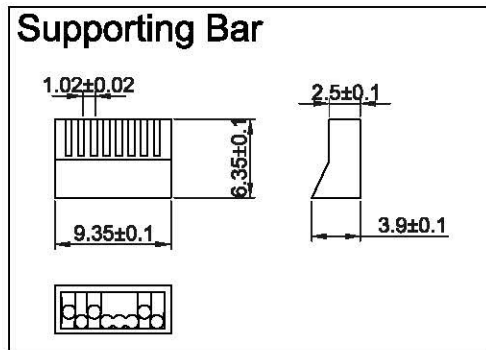
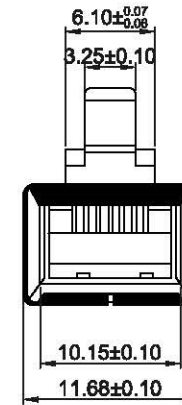
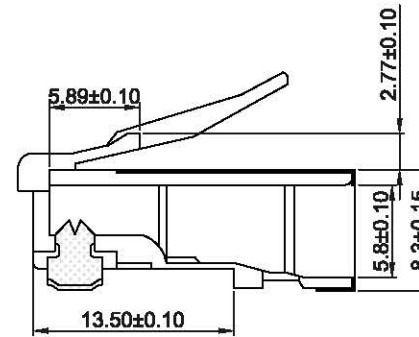
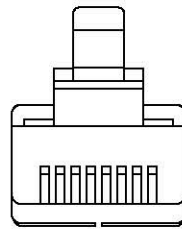
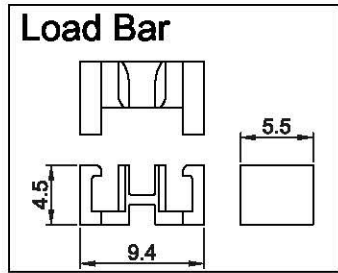


1 ROHS Compliant

7	DATE	2012/07/16
	Revision	A



TOLERANCE	
.XXXX	----
.XXX	0.10
.XX	0.25
.X	0.38

<b>P/NO. SY-FRJ2-45-3</b>		
ITEM. Modular Plug	CO. SY	S/N. SY-FRJ2-45-3
DR. Wakka 2012/07/16	APPD.	CHKD.
		FILE. SY-FRJ2-45-3
		SCALE /
www.allconnectors.de Tel.: 0049 711 7009503 70794 Filderstadt - Germany	info@allconnectors.de Fax: 0049 711 7009504 Kettenerstr. 25	UNIT mm SIZE A4

MATERIAL			
HOUSING	<input checked="" type="checkbox"/> PC UL94V-0 <input type="checkbox"/> PC UL94V-2	TYPE OF PLUG	<input checked="" type="checkbox"/> SHIELD <input type="checkbox"/> UNSHIELD
CONTACT	PHOSPHOR BRONZE FINE GOLD	GOLD-PLATING	<input type="checkbox"/> 0.15U M/6U" MINIMUM <input type="checkbox"/> 0.38U M/15U"MINIMUM
	PLATED OVER NICKEL		<input type="checkbox"/> 0.76U M/30U"MINIMUM <input checked="" type="checkbox"/> 1.27U M/50U"MINIMUM
APPLICATION	<input type="checkbox"/> UTP CAT.5E <input type="checkbox"/> UTP CAT.6 <input type="checkbox"/> STP CAT.5E <input checked="" type="checkbox"/> STP CAT.6		
	<input checked="" type="checkbox"/> SOLID <input type="checkbox"/> STRANDED		
REV.	DESCRIPTION	ENG.	APPROVAL

1 2 3 4 5 6 7