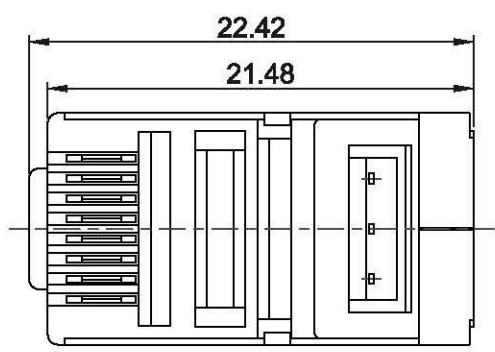
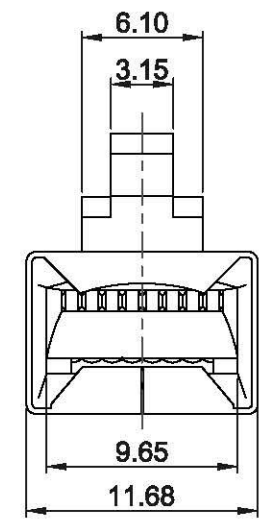
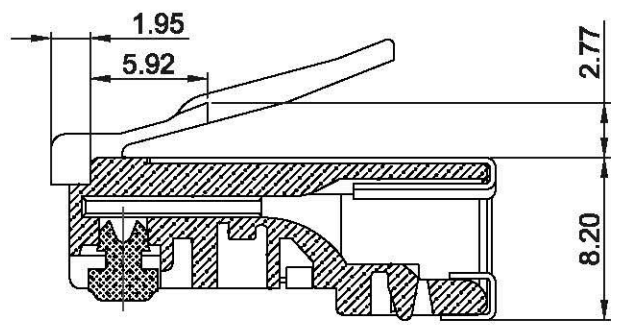
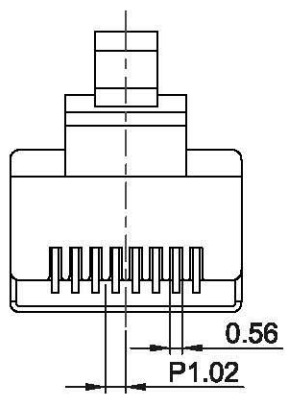
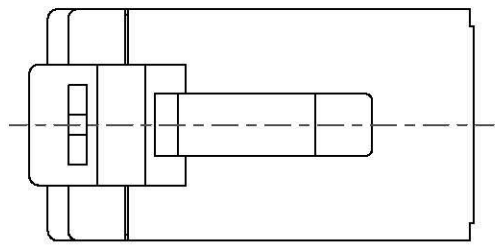


1  
ROHS Compliant

7	DATE	2012/07/16
	Revision	A



TOLERANCE	
.XXXX	----
.XXX	0.10
.XX	0.25
.X	0.38

HOUSING		<input checked="" type="checkbox"/> PC UL94V-0 <input type="checkbox"/> PC UL94V-2		MATERIAL		TYPE OF PLUG		<input checked="" type="checkbox"/> SHIELD <input type="checkbox"/> UNSHIELD	
CONTACT		<input type="checkbox"/> PHOSPHOR BRONZE FINE GOLD <input type="checkbox"/> PLATED OVER NICKEL		GOLD-PLATING		<input type="checkbox"/> 0.15U M/6U" MINIMUM <input type="checkbox"/> 0.38U M/15U"MINIMUM <input type="checkbox"/> 0.76U M/30U"MINIMUM <input checked="" type="checkbox"/> 1.27U M/50U"MINIMUM			
APPLICATION		<input type="checkbox"/> UTP CAT.5E <input type="checkbox"/> UTP CAT.6		<input checked="" type="checkbox"/> STP CAT.5E <input type="checkbox"/> STP CAT.6					
		<input type="checkbox"/> SOLID <input checked="" type="checkbox"/> STRANDED							
REV.	DESCRIPTION			ENG.	APPROVAL				

P/NO.		SY-FRJ-45-1			
ITEM.	Modular Plug	CO.	SY	S/N.	SY-FRJ-45-1
DR.	Wakka 2012/07/16	APPD.		CHKD.	
All Connectors		FILE.		SY-FRJ-45-1	
www.allconnectors.de Tel.: 0049 711 7009503 70794 Filderstadt - Germany		info@allconnectors.de Fax: 0049 711 7009504 Kettnerstr. 25		SCALE /	
UNIT		mm		SIZE A4	