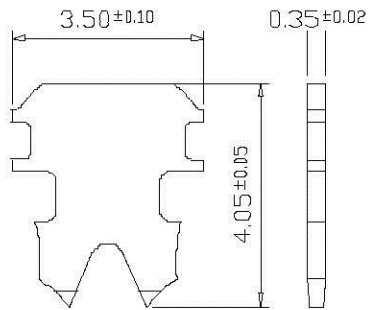
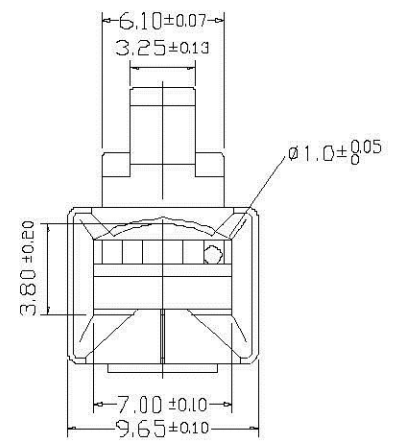
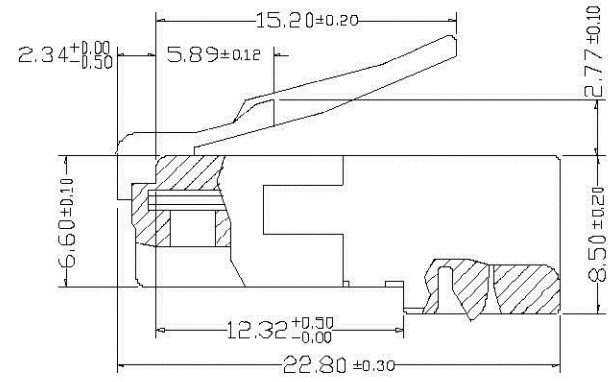
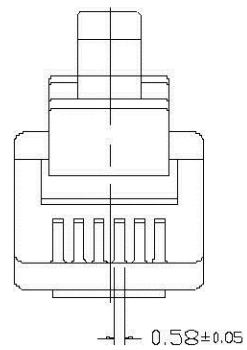
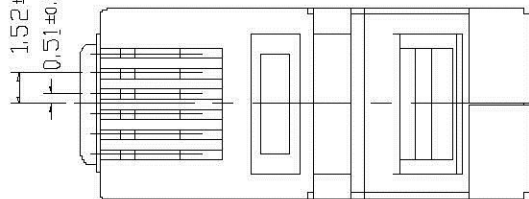


1.52±0.05  
0.51±0.05



2 PRONGS FOR STRANDED WIRE  
多芯線用二叉型金片

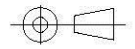
MP-RLM-0606-LF  
LEADFREE

RoHS Compliant

**Allconnectors**

www.allconnectors.de  
Tel.: 0049 711 7009502  
70794 Pfilzstadt Germany

info@allconnectors.de  
Fax: 0049 711 7009504  
Kalteneimstr. 25

PART NO. MP-RLM-0606		CHECKED BY CY		TOLERANCES ARE .X±0.2 .XX± .XXX± AWG	DESCRIPTION:			
DWG NO. MP-RLM-0606		DRAWING BY						
FILE NO.		PROJECTION 		AREA	REVISIONS	HK	DATE	
UNIT / mm	SCALE 1:1							