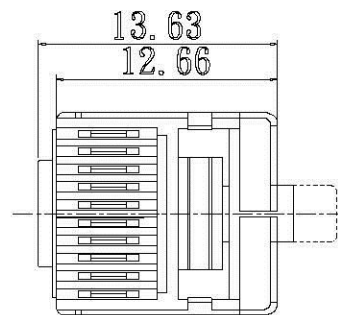
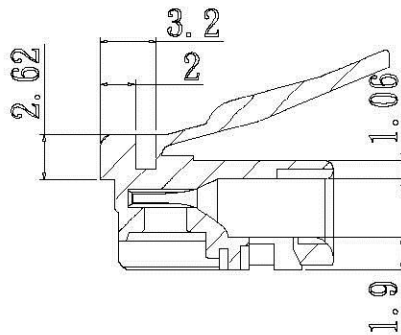
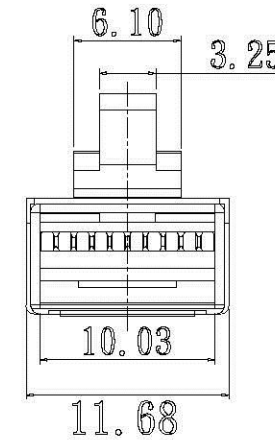
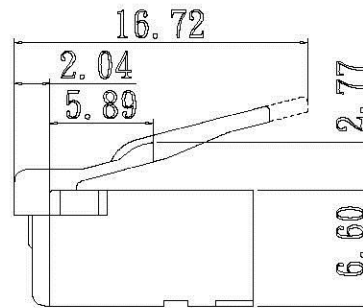
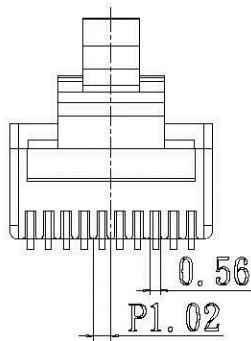
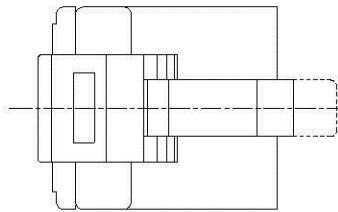


SPECIFICATION

MECHANICAL:

1. Housing Material: Polycarbonate, UL 94V-2.
No Poison
2. Material Contact: Phosphor Bronze.
3. Housing Color: Transparence.
4. Operation Temperature: -40 °c to 80 °c.
5. Cable to Tensile Strength: 7.7Kgs.



MP-FSF-1010-LF
LEADFREE

RoHS Compliant

All Connectors

www.allconnectors.de
Tel.: 0049 711 7009508
70734 Filderstadt - Germany

info@allconnectors.de
Fax: 0049 711 7009504
Kettnerstr. 25

PART NO. MP-FSF-1010

DWG NO. MP-FSF-1010

FILE NO.

UNIT / mm

SCALE 1:1

CHECKED BY CY

DRAWING BY

PROJECTION



TOLERANCES ARE

.X ± 0.2
.XX ±
.XXX ±
AWG

DESCRIPTION:

鐵殼

AREA

REVISIONS

HK

DATE