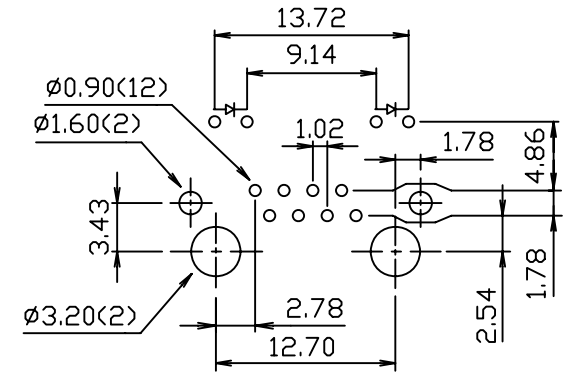
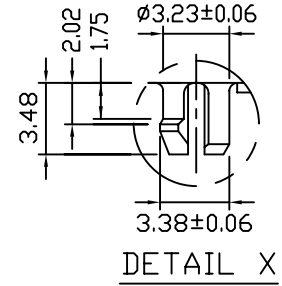
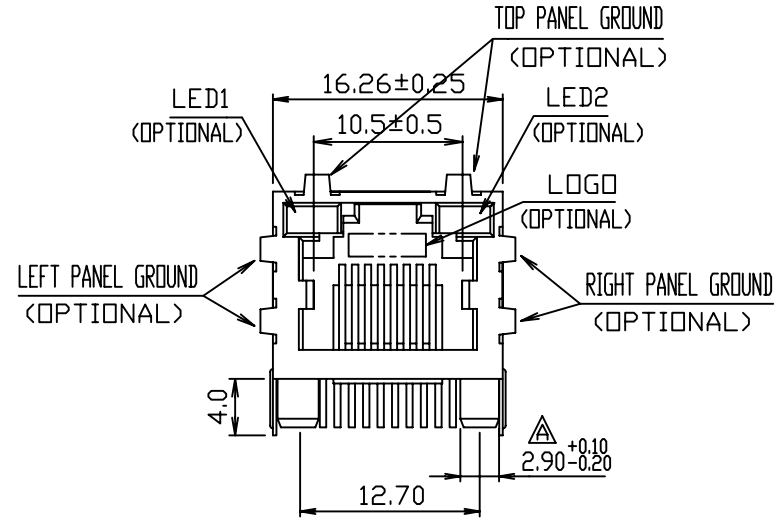


MJF13UL-KF06B3YG-0808-LF
 (L)GREEN+(R)GREEN LEADFREE

- MATERIALS:**
- HOUSING-DSM STANYL TE250F6 (NYLON-46)
HEAT DEFLECTION TEMP.290°
BLACK COLOR,UL94V-0
 - CONTACTS-0.35mm THICK PHOS-BRONZE PLATED WITH HARD GOLD AND TIN/LEAD IN SOLDER AREA.
 - SHIELD-0.25mm THICK COPPER ALLOY, PLATED WITH TIN-LEAD.

- ELECTRICAL:**
- INSULATION RESISTANCE: 500 MEGOHMS MINIMUM
 - CURRENT RATING: 1.5 AMPS
 - VOLTAGE RATING: 150 VOLTS AC
 - LED FAILINGS:
FORWARD DC CURRENT: 2mA
FORWARD VOLTAGE: 1.8 VOLTS TYPICAL
REVERSE VOLTAGE: 5 VOLTS MINIMUM
POWER DISSIPATION: GRN.=24mW;YELL.=36mW
 - CAVITY CONFIRMS TO FCC RULES AND REGULATIONS PART 68,SUBPART F.



PCB LAYOUT

RoHS Compliant

B	All Connectors www.allconnectors.eu info@allconnectors.eu Tel. +49 (0)711 / 358 110 20 Fax +49 (0)711 / 358 110 25		PART NO. MJF13UL-KF06B3GG-0808		TOLERANCES ARE .X ± 0.25 .XX ± 0.13 .XXX ± AWG	DESCRIPTION: 8POSITION LED SHIELDED FLAT PIN, SIDE ENTRY JACK	AREA	REVISIONS	HK	DATE
	DWG NO. MJF13UL-KF06B3GG-0808		CHECKED BY CY	DRAWING BY						
A	FILE NO.		PROJECTION							
	UNIT / mm	SCALE 1:1								