

1

2

3

4

5

6

A

B

C

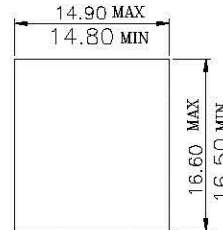
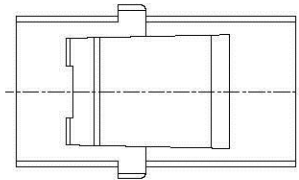
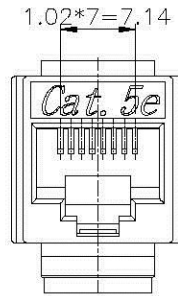
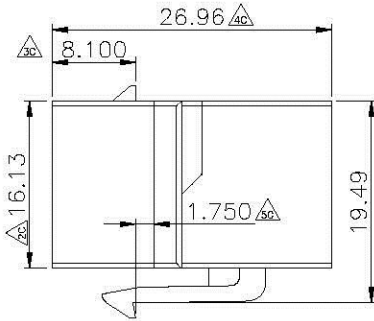
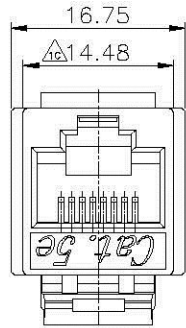
D

A

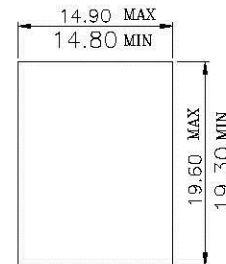
B

C

D



Front Panel Jack Only Clearance
W/O Latch Feature



Single Panel-Latch Clearance
Panel Thickness 1.60mm

Electrical:
 1.Voltage Rating:125 Vac Rms.
 2.Current Rating:1.5 Amp.
 3.Contact Resistance:40 Milliohms Max.
 4.Insulation Resistance:1000 Megohms Min @500 Vdc.
 5.Dielectric Strength:1000 Vac Rms 60Hz, 1Min.
Mechanical:
 1.Operating:750 Cycles Min.
Environmental:
 1.Storage:-40°C To +85°C.
 2.Opertion:-20°C To +75°C.
 Mates With Modular Plug Conforming
 To FCC Part 68, Subpart F.

Materials:

Plastic Housing: Engineering Thermoplastic
 Flammability Rating UL 94V-0.
 Contacts: Thickness Phosphor Bronze
 Plating: Gold Plating Over Nickel In Contact.

6u" P/N J201810081
 15u" P/N J201810082
 30u" P/N J201810083
 50u" P/N J201810084

All Connectors

www.allconnectors.de
 Tel: 0049 711 7009509
 70734 Pflodstadt Germany

Info@allconnectors.de
 Fax: 0049 711 7009504
 Kottelnerstr. 25

UNIT: mm SCALE: 2/1 SHEET: 1 of 1

DRAWN BY: Alan APPROVED BY: Alan

110329 110329

General tolerance

.XXX ±0.10
 .XX ±0.25
 .X ±0.38
 X ±0.50
 ANG ±3°

TITLE: MODULAR COUPLER JACK

(8P8C)C. 5e

DRAW NO: J201810081 REV: A

REV	DESCRIPTION	DATE

1

2

3

4

5

6