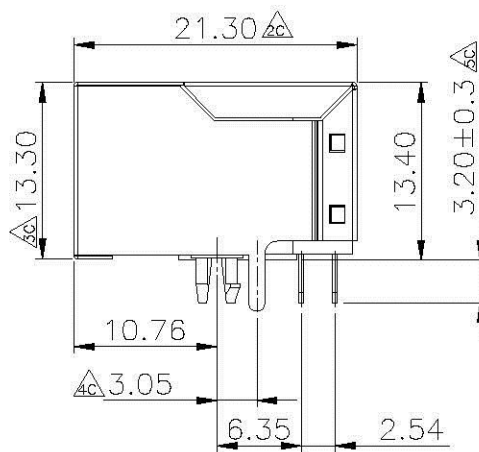
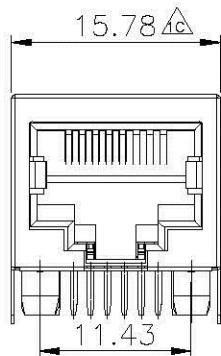
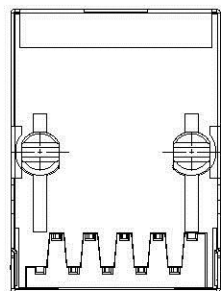


1 2 3 4 5 6

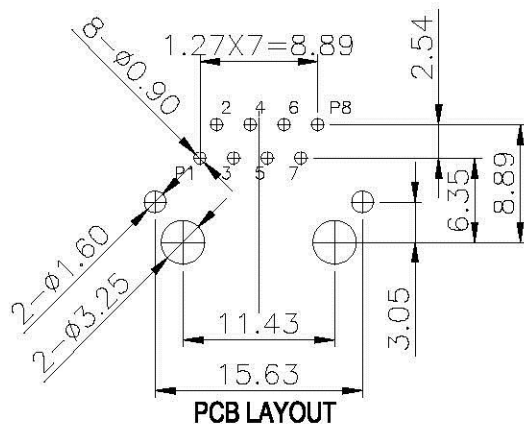
A



B



C



MATERIALS:

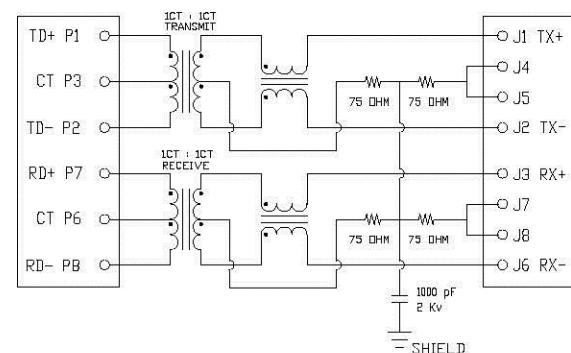
PLASTIC HOUSING: HIGH TEMP THERMOPLASTIC
FLAMMABILITY RATING UL 94V-0.

CONTACTS: PHOSPHOR BRONZE
PLATING: GOLD PLATING OVER NICKEL IN CONTACT.
TIN PLATING OVER NICKEL IN SOLDER AREA.
SHIELD: BRASS PLATING NICKEL ALLOY.

A

B

C



JC-01

Electrical:

- 1.Voltage Rating:125 Vac Rms.
- 2.Current Rating:1.5 Amp.
- 3.Contact Resistance:40 Milliohms Max.
- 4.Insulation Resistance:1000 Megohms Min @500 Vdc.
- 5.Dielectric Strength:1000 Vac Rms 60Hz, 1Min.

Mechanical:

- 1.Operating:750 Cycles Min.

Environmental:

- 1.Storage:-40°C To +85°C.
- 2.Operion:-20°C To +75°C.

Mates With Modular Plug Conforming To FCC Part 68, Subpart F.

D



UNIT	SCALE	SHEET	TITLE :
mm	2/1	1 of 1	
DRAWN BY	APPROVED BY		
Alan	Alan		
121109	121109		
General Tolerance			
.XXX	±0.10		
.XX	±0.25		
.X	±0.38		
Ø	±0.50		
ANG	±3°		
DRAW NO :			REV.
J007-01-1109			A

1 2 3 4 5 6