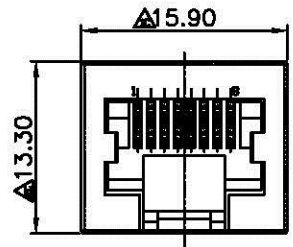
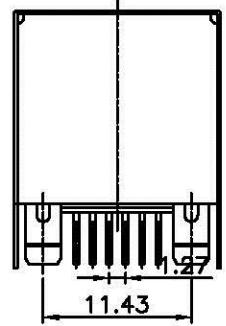


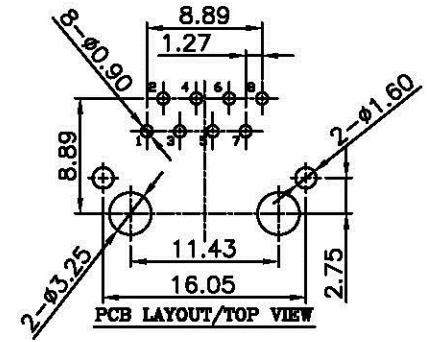
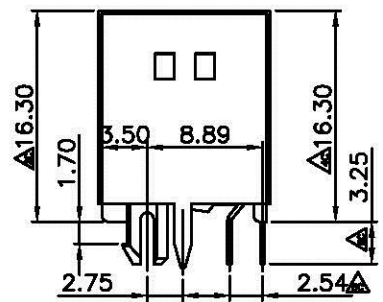
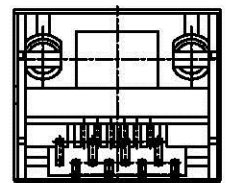
A



B



C



Electrical:
 1.Voltage Rating:125 Vac Rms.
 2.Current Rating:1.5 Amp.
 3.Contact Resistance:40 Milliohms Max.
 4.Insulation Resistance:1000 Megohms Min @500 Vdc.
 5.Dielectric Strength:1000 Vac Rms 60Hz, 1Min.

Mechanical:
 1.Operating:750 Cycles Min.

Environmental:
 1.Storage:-40°C To +85°C.
 2.Operation:-20°C To +75°C.

Mates With Modular Plug Conforming To FCC Part 68, Subpart F.

D

MATERIALS:
 PLASTIC HOUSING: ENGINEERING THERMOPLASTIC
 FLAMMABILITY RATING UL 94V-0.
 CONTACTS: PHOSPHOR BRONZE
 PLATING: GOLD PLATING OVER NICKEL IN CONTACT.
 TIN PLATING OVER NICKEL IN SOLDER AREA.
 SHIELDED: BRASS WITH NICKEL PLATED

6u" P/N J267020151
 15u" P/N J267020152
 30u" P/N J267020153
 60u" P/N J267020154



UNIT	SCALE	SHEET	TITLE
mm	2.5/1	1 of 1	TOP ENTRY PCB JACK(8P8C) Tiny Shielded
DRAWN BY	APPROVED BY	DRAW NO :	
Alan 110323	Alan 110323	J267020151	
General tolerance		REV.	
.0015 .0025 .0038 .0050 .0075 .0100		A	