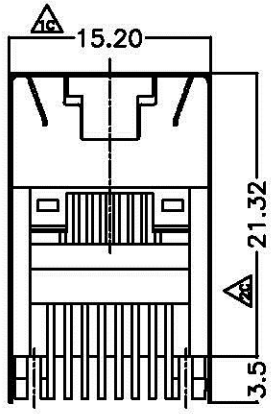
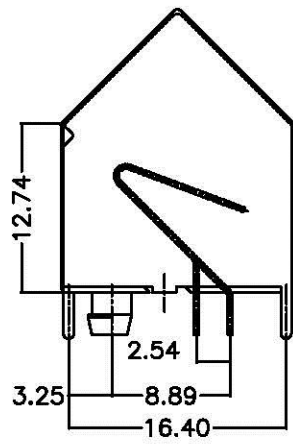


A



Electrical:

- 1.Voltage Rating:125 Vac Rms.
- 2.Current Rating:1.5 Amp.
- 3.Contact Resistance:40 Milliohms Max.
- 4.Insulation Resistance:1000 Megohms Min @500 Vdc.
- 5.Dielectric Strength:1000 Vac Rms 60Hz, 1Min.

Mechanical:

- 1.Operating:750 Cycles Min.

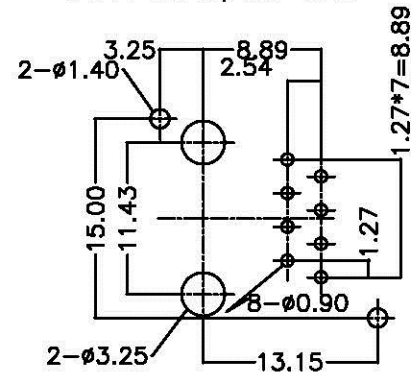
Environmental:

- 1.Storage:-40°C To +85°C.
- 2.Opertion:-20°C To +75°C.

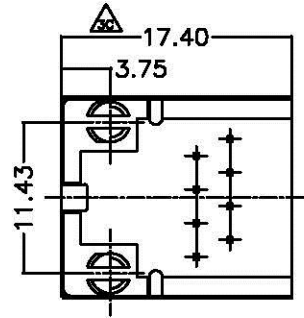
Mates With Modular Plug Conforming To FCC Part 68, Subpart F.

B

PCB LAYOUT/TOP VIEW



C



D

MATERIALS:
PLASTIC HOUSING: ENGINEERING THERMOPLASTIC
 FLAMMABILITY RATING UL 94V-0.
CONTACTS: PHOSPHOR BRONZE
PLATING: GOLD PLATING OVER NICKEL IN CONTACT.
 TIN PLATING OVER NICKEL IN SOLDER AREA.
SHIELDED: BRASS WITH NICKEL PLATED

- 6u" P/N J045010156
- 15u" P/N J045010157
- 30u" P/N J045010158
- 50u" P/N J045010159

J-GON			
UNIT	SCALE	SHEET	TITLE
mm	2.5/1	1 of 1	45° PCB JACK(8P8C)
DRAWN BY	APPROVED BY		
Alan	Alan		
	110323	110323	
General tolerance			
Ø			
±			
∓			
ANG			
REV	DESCRIPTION	DATE	DRAW NO
			J045010156
			REV. A