

1

2

3

4

5

6

A

B

C

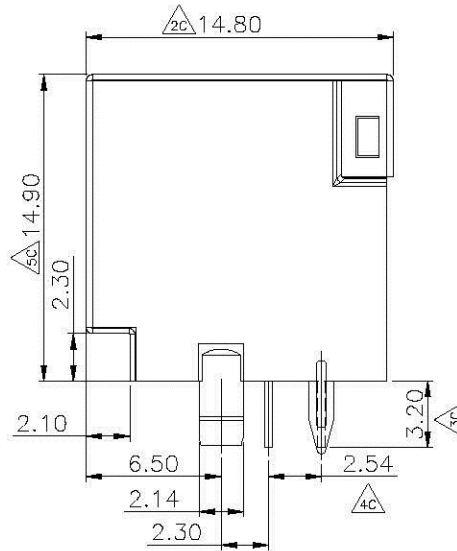
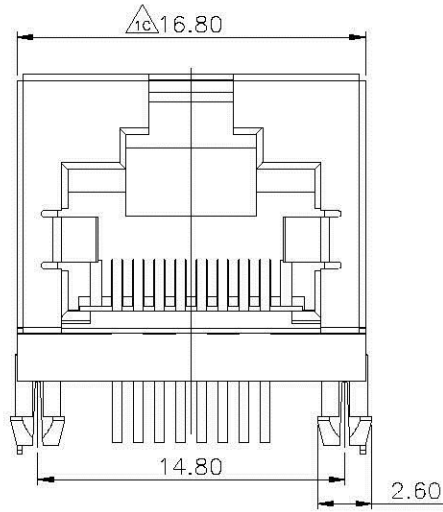
D

A

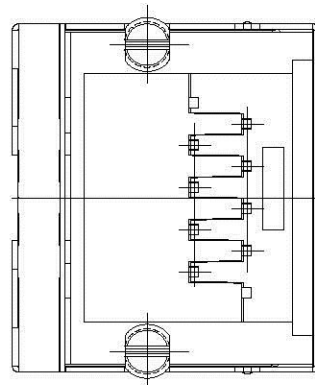
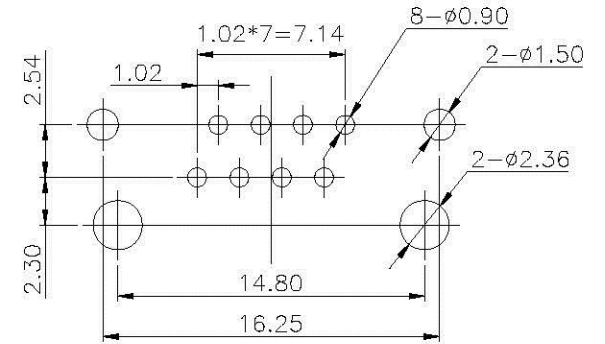
B

C

D



PCB LAYOUT/TOP VIEW



Electrical:
 1.Voltage Rating:125 Vac Rms.
 2.Current Rating:1.5 Amp.
 3.Contact Resistance:40 Milliohms Max.
 4.Insulation Resistance:1000 Megohms Min @500 Vdc.
 5.Dielectric Strength:1000 Vac Rms 60Hz, 1Min.
Mechanical:
 1.Operating:750 Cycles Min.
Environmental:
 1.Storage:-40°C To +85°C.
 2.Operation:-20°C To +75°C.
 Mates With Modular Plug Conforming
 To FCC Part 68, Subpart F.

Materials:
 Shielded: Brass With Nickel Plated
 Plastic Housing: Engineering Thermoplastic
 Flammability Rating UL 94V-0.
 Contacts: Thickness Phosphor Bronze
 Plating: Gold Plating Over Nickel In Contact.

6u" P/N J020010151
 15u" P/N J020010152
 30u" P/N J020010153
 50u" P/N J020010154

UNIT	SCALE	SHEET	TITLE
mm	4/1	1 of 1	Side Entry PCB JACK (Up Latch)
DRAWN BY	APPROVED BY	DRAW NO :	
Alan	Alan	J020010151	
General	tolerance	REV.	
.XXX ±0.10		A	
.XX ±0.25			
.X ±0.38			
±0.50			
ANG ±3°			

REV	DESCRIPTION	DATE

1

2

3

4

5

6