

1 2 3 4 5 6

A

B

C

D

A

B

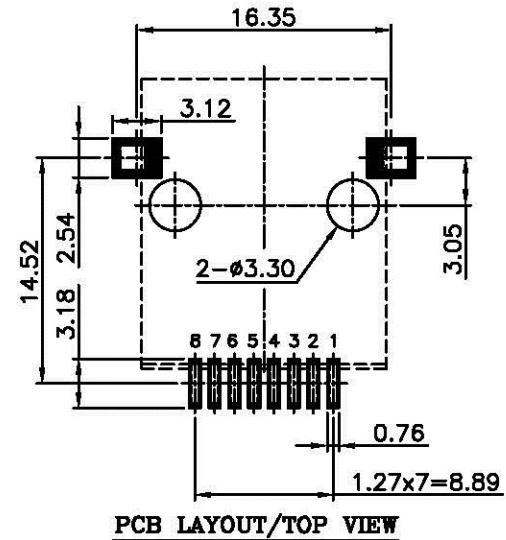
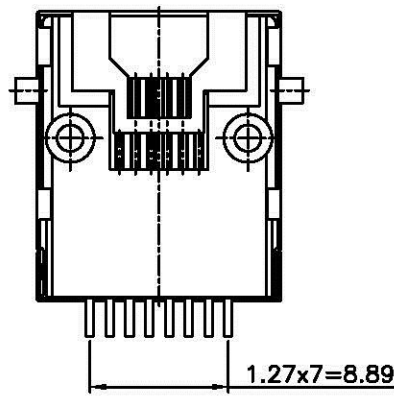
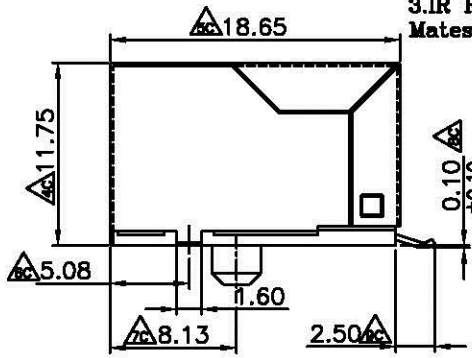
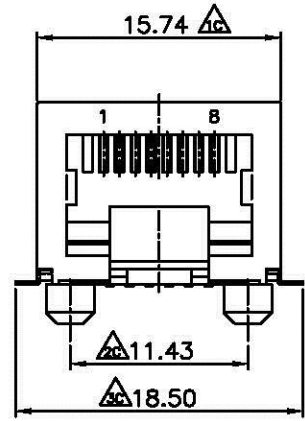
C

D

Electrical:
 1.Voltage Rating:125 Vac Rms.
 2.Current Rating:1.5 Amp.
 3.Contact Resistance:40 Milliohms Max.
 4.Insulation Resistance:1000 Megohms Min @500 Vdc.
 5.Dielectric Strength:1000 Vac Rms 60Hz, 1Min.

Mechanical:
 1.Operating:750 Cycles Min.

Environmental:
 1.Storage:-40°C To +85°C.
 2.Operation:-20°C To +75°C.
 3.IR Reflow Soldering Temperature:255°C To 265°C(5~10 Seconds).
 Mates With Modular Plug Conforming To FCC Part 68, Subpart F.



MATERIALS:
 PLASTIC HOUSING: HIGH TEMP. THERMOPLASTIC
 FLAMMABILITY RATING UL 94V-0.
 CONTACTS: PHOSPHOR BRONZE
 PLATING: GOLD PLATING OVER NICKEL IN CONTACT.
 TIN PLATING OVER NICKEL IN SOLDER AREA.
 SHIELD: BRASS PLATING NICKEL ALLOY.

G/F P/N :J014030250
 6u" P/N :J014030251
 15u" P/N :J014030252
 30u" P/N :J014030253
 50u" P/N :J014030254

		All Connectors	
		www.allconnectors.com 10000 11th Street, Suite 100, San Diego, CA 92121 Tel: 619-444-2222 Fax: 619-444-2223	
UNIT	SCALE	SHEET	TITLE
mm	1/1	1 of 1	RJ45 8P8C SMT JACK (SHIELDED)
DRAWN BY	APPROVED BY	DRAW NO :	
Alan	Alan	J014030251	
General Tolerance		REV.	
.0015 .0025 .0038 .0050 .0075 .0100 .0150 .0200 .0300 .0400 .0500 .0750 .1000 .1500 .2000 .3000 .4000 .5000 .7500 1.0000 1.5000 2.0000 3.0000 4.0000 5.0000 7.5000 10.0000		A	
REV	DESCRIPTION	DATE	

1 2 3 4 5 6