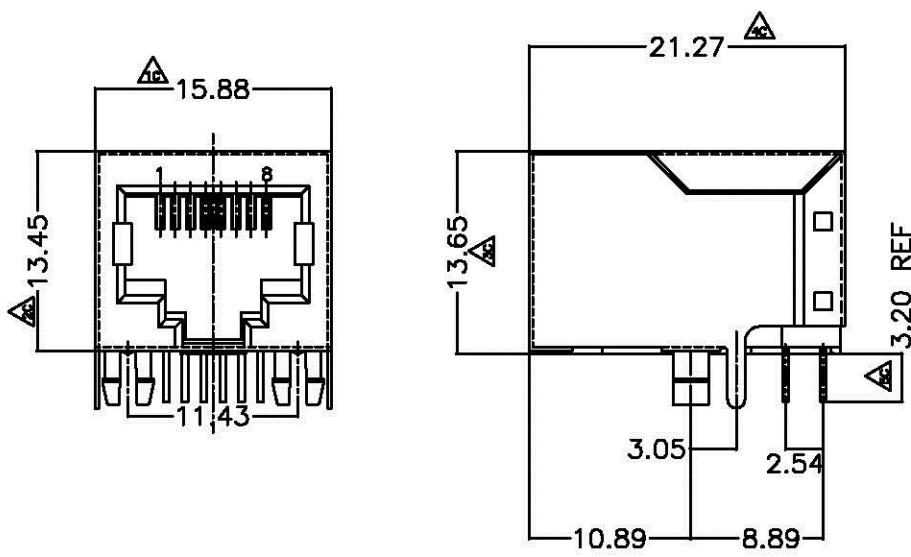


1 2 3 4 5 6

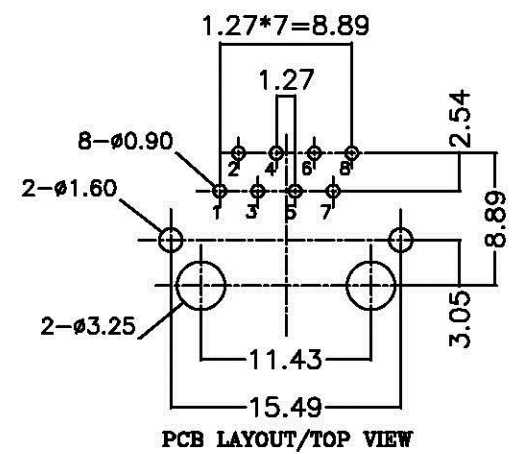
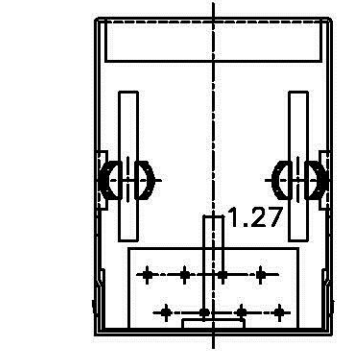


Electrical:
 1.Voltage Rating:125 Vac Rms.
 2.Current Rating:1.5 Amp.
 3.Contact Resistance:40 Milliohms Max.
 4.Insulation Resistance:1000 Megohms Min @500 Vdc.
 5.Dielectric Strength:1000 Vac Rms 60Hz, 1Min.

Mechanical:
 1.Operating:750 Cycles Min.

Environmental:
 1.Storage:-40°C To +85°C.
 2.Operation:-20°C To +75°C.

Mates With Modular Plug Conforming To FCC Part 68, Subpart F.



MATERIALS:
PLASTIC HOUSING: ENGINEERING THERMOPLASTIC
 FLAMMABILITY RATING UL 94V-0.
CONTACTS: PHOSPHOR BRONZE
PLATING: GOLD PLATING OVER NICKEL IN CONTACT.
 TIN PLATING OVER NICKEL IN SOLDER AREA.
SHIELDED: BRASS WITH NICKEL PLATED

		All Connectors			
		UNIT: MM		SCALE: 3/1	
		SHEET: 1 of 1		TITLE: 1*1PORTS PCB JACK (8P8C)	
		DRAWN BY: Alan		APPROVED BY: Alan	
		110318		110318	
		General		tolerance	
				DRAW NO: J012110151	
REV	DESCRIPTION	DATE			REV. A

1 2 3 4 5 6