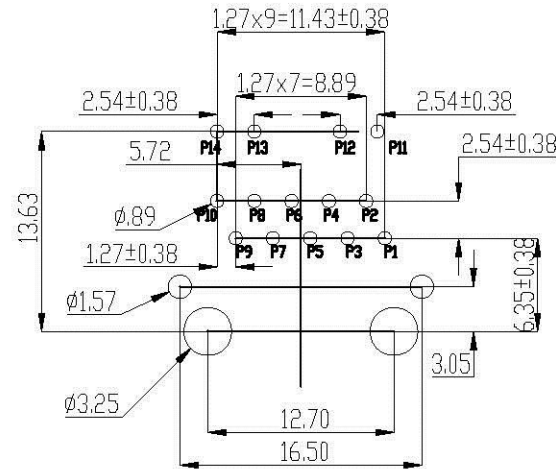
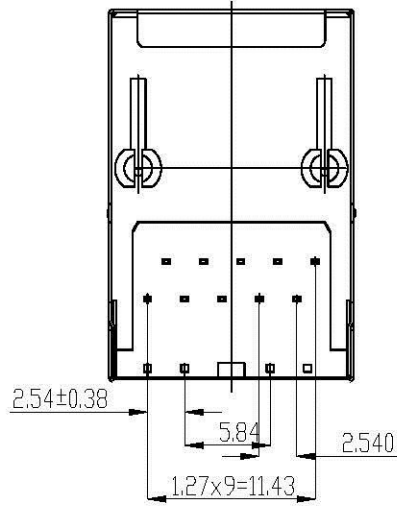
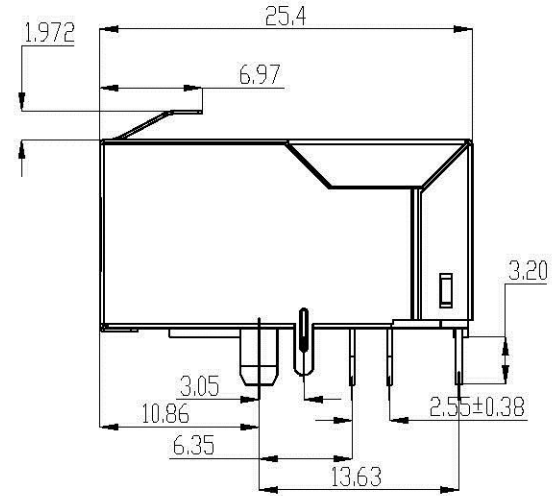
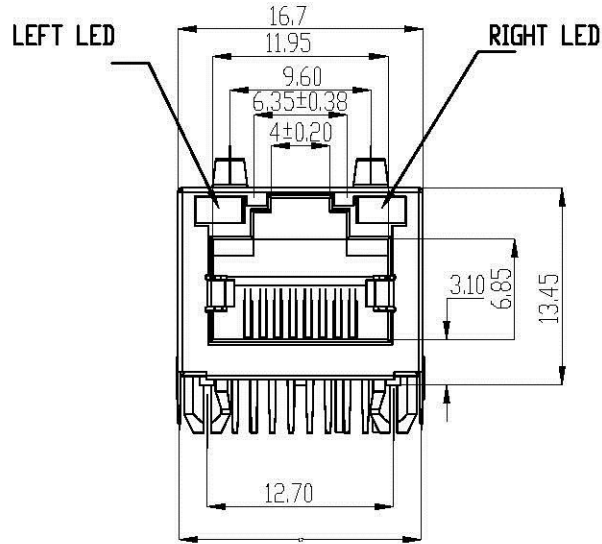


REV.	LOCAS.	DESCRIPTION	DATE	DRAWN
A	NEW	INITIAL RELEASE.	2012.10.23	kim



Recommended P.C.Board
Layout
(Tolerance:±0.05)

NOTES:

1.Material:

1.1>.HOUSING:LCP,UL94V-0,COLOR:BLACK;

1.2>.SHELL: BRASS C2680 T=0.20;

**1.3>.RJ45 TERMINAL:PHOSPHOR BRONZE T=0.3mm
PLATING: 50u" NICKEL Min. UNDER PLATED
ALL OVER 100u" TIN Min. PLATED ALL OVER
G/F GOLD PLATED ON CONTACT AREA;**

**1.4>.OTHERS TERMINAL:BRASS T=0.35mm
PLATING: 50u" NICKEL Min. UNDER PLATED
ALL OVER 100u" TIN Min. PLATED ALL OVER;**

AllConnectors

www.allconnectors.de
Tel.: 0049 711 3095913
All-Prod Industrie- und Handels GmbH

info@allconnectors.de
Fax: 0049 711 3095916
Katharinenstr. 25

GENERAL TOLERANCE

X.*±5.0"	X.±0.25
.X.*±3.0"	.X.±0.20
.XX.*±2.0"	.XX±0.15
.XXX.*±1.0"	.XXX±0.10

DESIGN: kim

DATE: 2012.10.23

DWG. NO.

470-B326D01A6H

TITLE.

470-RJ45 1x1 Dip Tab Up
Giga With LED G/F 1S

CHECKED: fly

DATE: 2012.10.23

PART NO.

470-B326D01A6H

AUDITED:

DATE:

APPROVED:

DATE:

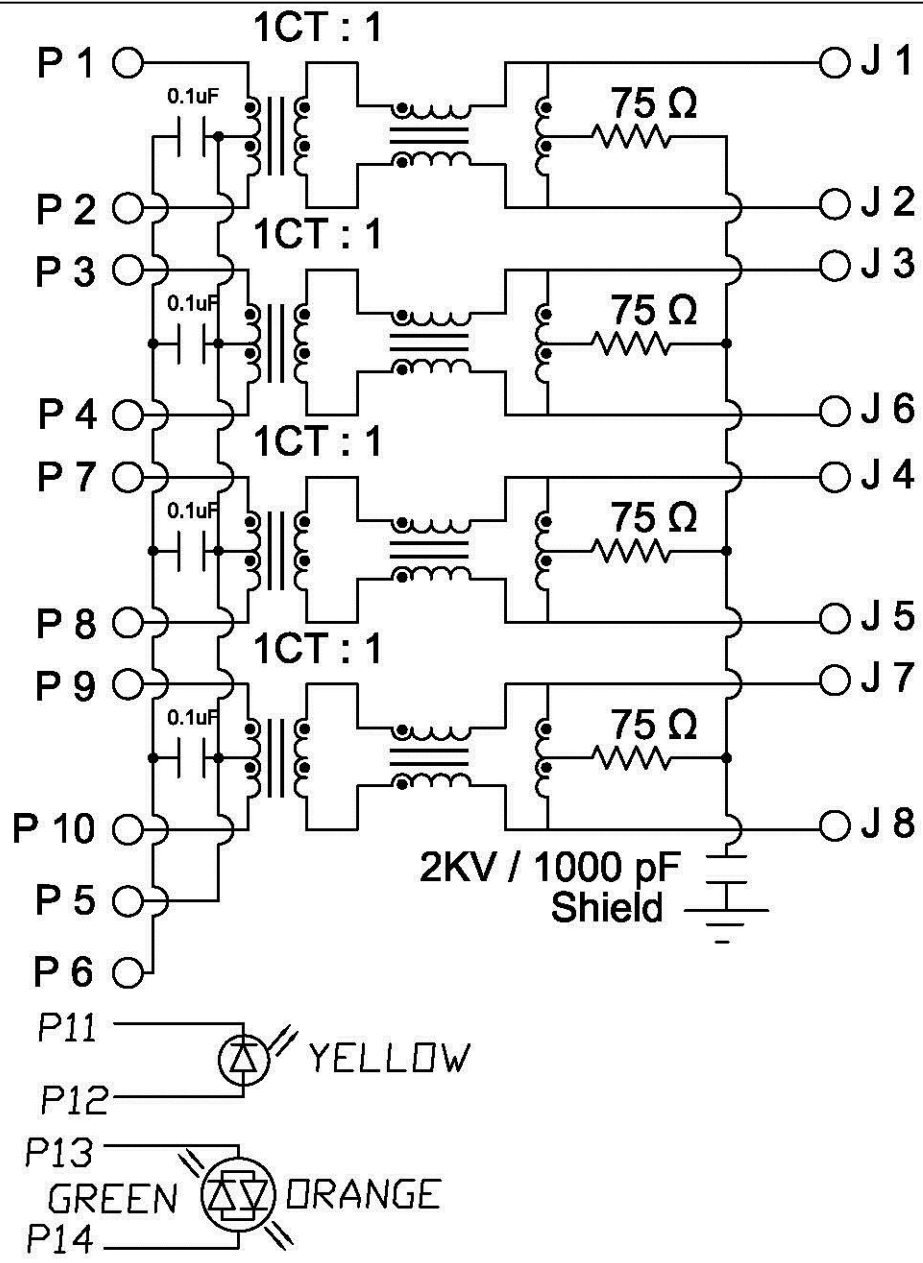
REV.	UNIT.	SCALE.	PAGE.	Symbol
A	mm	2:1	1/2	

1 2 3 4 5 6 7 8 9

REV.	LOCAS.	DESCRIPTION	DATE	DRAWN
A	NEW	INITIAL RELEASE.	2012.10.23	kim

PC BOARD CONNECTIONS

RJ45 CONNECTIONS



1. Electrical Specification @25°C:
 - 1.1 Insertion Loss: @ 1-100 MHz-1.0dB Max.
Return Loss: @ 1-30 MHz-18dB Min. LOAD 100Ω.
 @ 30-60 MHz-16dB Min. LOAD 100Ω.
 @ 60-80 MHz-12dB Min. LOAD 100Ω.
 - 1.2 Common Mode Rejection : @1-100MHz-30dB Min.
 - 1.3 Cross Talk: @1-100MHz-30dB Min.
 - 1.4 Inductance @100KHz/0.1V 350uH Min 8mA DC Bias .
 - 1.5 Hi-Pot Test:
P1-P2 TO J1-J2 1500AC,60sec .
P3-P4 TO J3-J6 1500AC,60sec .
P7-P8 TO J4-J5 1500AC,60sec .
P9-P10 TO J7-J8 1500AC,60sec .
 - 1.6 OPERATING TEMPERATURE: 0°C~+70°C

Allconnectors				GENERAL TOLERANCE		DESIGN: kim	DATE: 2012.10.23	DWG. NO.	TITLE.
www.allconnectors.de Tel: 0049 711 7009503 70794 Filsterstadt Germany				info@allconnectors.de Fax: 0049 711 7009504 Kottenerstr. 25		CHECKED: fly	DATE: 2012.10.23	470-B326D01A6H	470-RJ45 1x1 Dip Tab Up Giga With LED G/F 1S
REV.	UNIT.	SCALE.	PAGE.	.X'±5.0'	X.±0.25	AUDITED:	DATE:	PART NO.	
A	mm	2:1	2/2	.X'±3.0'	.X±0.20	APPROVED:	DATE:	470-B326D01A6H	
				.XX'±2.0'	.XX±0.15				
				.XXX'±1.0'	.XXX±0.10				

1 2 3 4 5 6 7 8 9