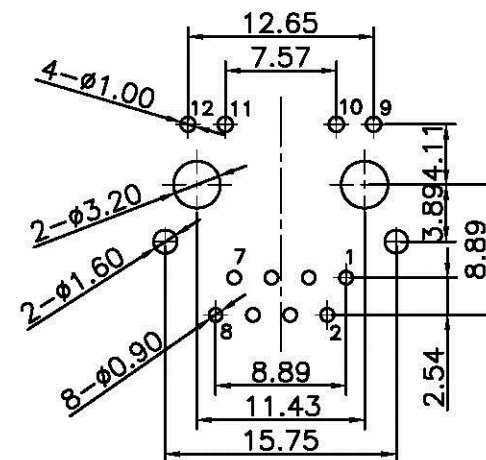
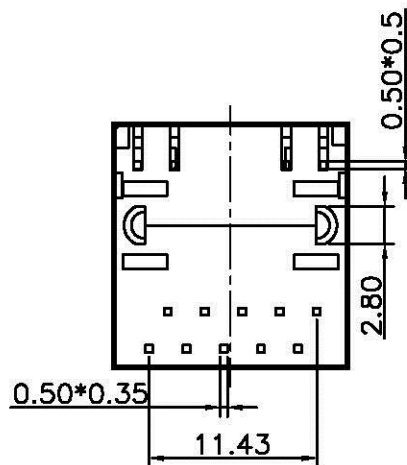
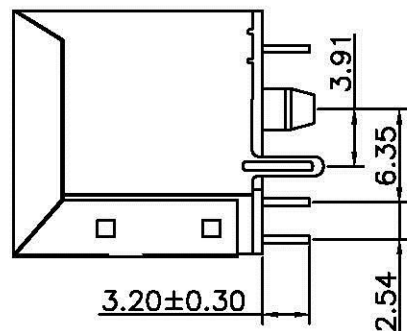
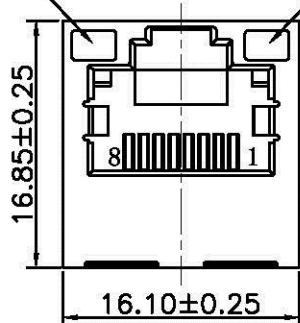


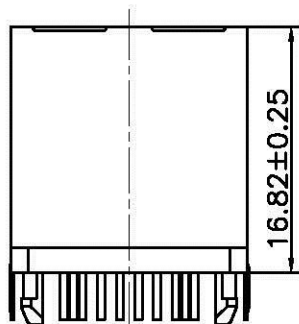
REV.	LOCAS.	DESCRIPTION	DATE	DRAWN
A	NEW	INITIAL RELEASE.	2012.10.23	陳桂芳

Green/Yellow

Green/Yellow



Recommended P.C.Board
Layout
(Tolerance:±0.05)



NOTES:

1.MATERIAL:

- 1.1>.HOUSING:PBT,UL94V-0,COLOR:BLACK;
- 1.2>.SHELL: BRASS C2680R-H T=0.20MM;
PLATED:50u"~100U" NICKEL PLATED OVER.
- 1.3>.RJ45 CONTACT:PHOSPHOR BRONZE T=0.3mm
PLATED: 6u" GOLD PLATED ON CONTACT AREA;
80u"~160u" TIN PLATED ON SOLDER AREA;
50u"~100U" NICKEL UNDERPLATED OVERALL.
- 1.4>.TAIL CONTACT:BRASS T=0.35mm
PLATED: 80u"~160u" TIN PLATED OVER;
50u"~100U" NICKEL UNDERPLATED OVERALL.
- 1.5>.All materials must meet Greenconn
requirement for environment protection.

All Connectors

www.allconnectors.de
TEL: 0049 711 2000500
20704 Eilberstadt - Germany

info@allconnectors.de
fax: 0049 711 2000504
Kettnerstr. 25

REV.	UNIT.	SCALE.	PAGE.	
A	mm	2:1	1/2	

GENERAL TOLERANCE

X.*±3.0°	X.±0.30
.X*±2.0°	.X±0.25
.XX*±1.0°	.XX±0.15
.XXX*±0.5°	.XXX±0.10

DESIGN:	陳桂芳	DATE:	2012.10.23
CHECKED:	賴昌飛	DATE:	2012.10.23
AUDITED:	駱愛軍	DATE:	2012.10.23
APPROVED:		DATE:	

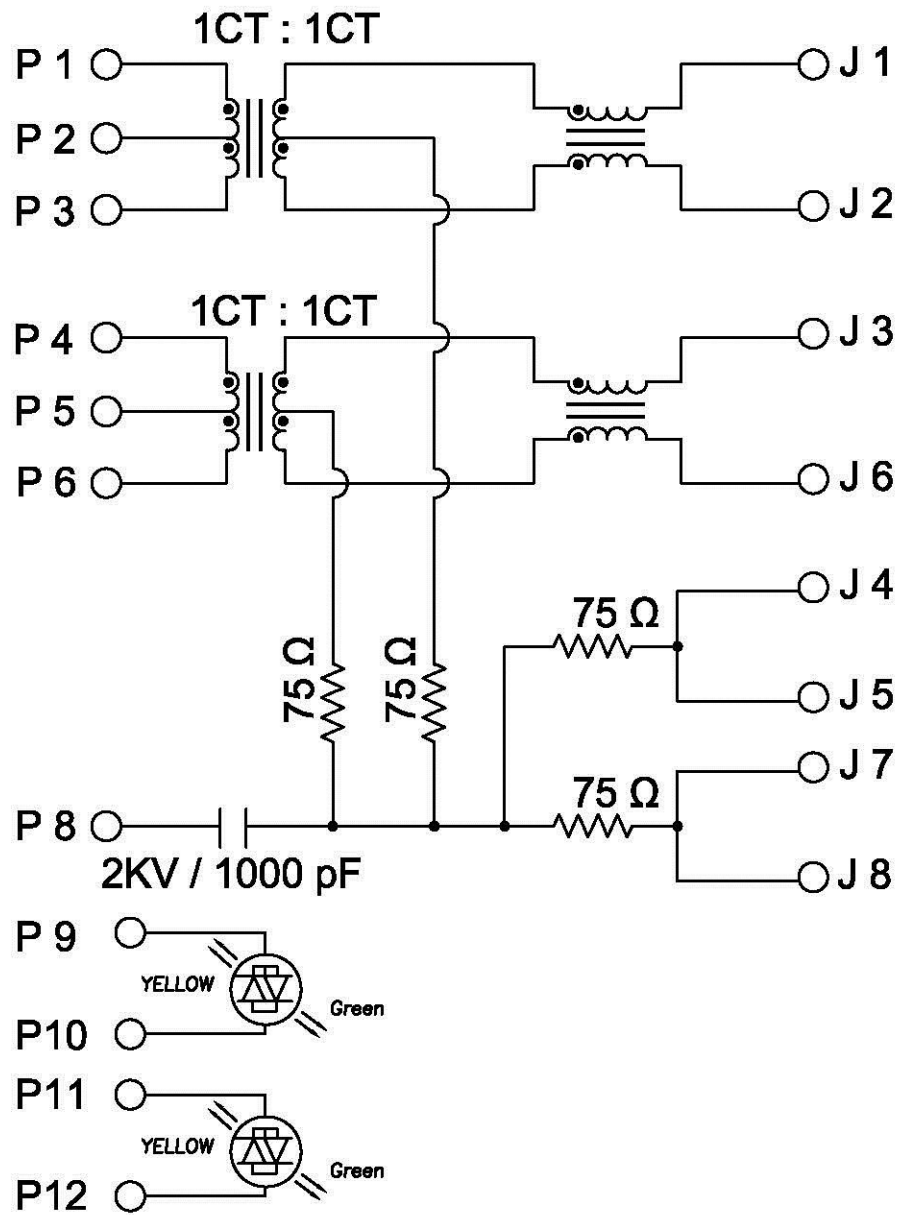
DWG. NO.	350-CD103R20A2H
PART NO.	350-D103R20A2H

TITLE.
350-RJ45 1x1 Dip Vertical 180
10/100Base With LED 6u" NS

REV.	LOCAS.	DESCRIPTION	DATE	DRAWN
A	NEW	INITIAL RELEASE.	2012.10.23	陳桂芳

PC BOARD CONNECTIONS

RJ45 CONNECTIONS



1. Electrical Specification @25°C:
 - 1.1 Insertion Loss:@ 1-100 MHz -1.0dB Max.
Return Loss:@ 1-30 MHz -18dB Min. LOAD 100 Ω.
@ 30-60 MHz -16dB Min. LOAD 100 Ω.
@ 60-80 MHz -12dB Min. LOAD 100 Ω.
 - 1.2 Common Mode Rejection :@ 1-100 MHz -30dB Min.
 - 1.3 Cross Talk:@ 1-100 MHz -30dB Min.
 - 1.4 Inductance @100KHz/0.1V 350uH Min 8mA DC bias .
 - 1.5 Hi-Pot Test:1500AC,1sec .

Allconnectors

www.allconnectors.de
 info@allconnectors.de
 Fax: 0049 710 400640
 70794 Rüdelsheim, Germany

GENERAL TOLERANCE	
X.±3.0°	X.±0.30
.X±2.0°	.X±0.25
.XX±1.0°	.XX±0.15
.XXX±0.5°	.XXX±0.10

DESIGN: 陈桂芳	DATE: 2012.10.23
CHECKED: 賴昌飛	DATE: 2012.10.23
AUDITED: 駱愛軍	DATE: 2012.10.23
APPROVED:	DATE:

DWG. NO.	350-CD103R20A2H
PART NO.	350-D103R20A2H

TITLE.
 350-RJ45 1x1 Dip Vertical 180
 10/100Base With LED 6u" NS

REV.	UNIT.	SCALE.	PAGE.	
A	mm	2:1	2/2	