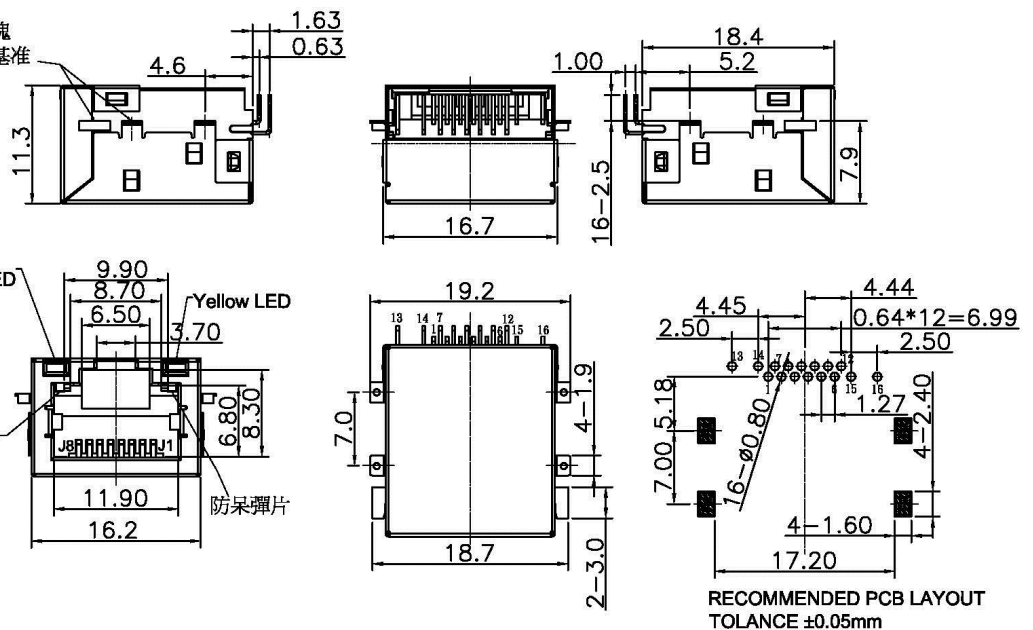


REV.	LOCAS.	DESCRIPTION	DATE	DRAWN
01	NEW	INITIAL RELEASE.	2012.10.17	KIM

以此塑膠擋塊
及銅殼腳為基準

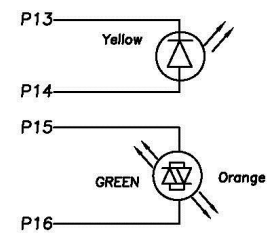
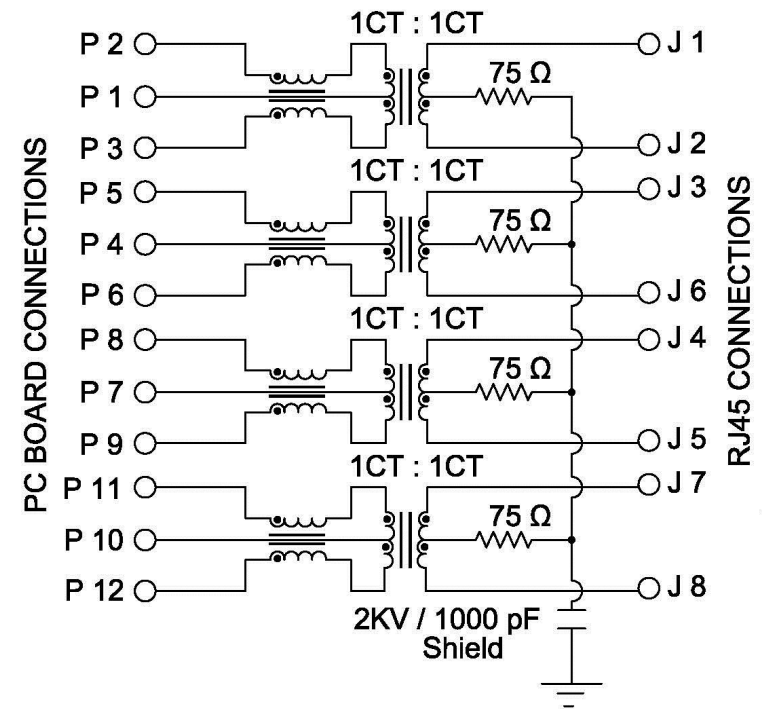


- NOTES:**
- MATERIAL:**
 - HOUSING: THERMOPLASTIC.(LCP) UL94V-0 COLOR:BLACK
 - CONTACTS: PHOSPHOR BRONZE
 - SHELL: BRASS
 - FINISH:**
 - CONTACT:**
 - 6u"MIN. GOLD PLATING ON CONTACT AREA.
 - 100u"MIN. TIN PLATING ON SOLDER TAILS.
 - 50u"MIN. NICKEL UNDERPLATING OVERALL.
 - SHELL:**
 - 50u"MIN. NICKEL UNDERPLATING OVERALL.
 - RECOMMENDED PCB THICKNESS: 1.6mm**
 - REFLOW SOLDER CAPABLE TO 260°C**

**RECOMMENDED PCB LAYOUT
TOLANCE ±0.05mm**

<p>格棧股份有限公司 Greenconn Corporation</p>				<p>GENERAL TOLERANCE</p> <table border="1"> <tr> <td>X.*±3.0"</td> <td>X.±0.30</td> </tr> <tr> <td>.X"±2.0"</td> <td>.X±0.25</td> </tr> <tr> <td>.XX"±1.0"</td> <td>.XX±0.20</td> </tr> <tr> <td>.XXX"±0.5"</td> <td>.XXX±0.10</td> </tr> </table>		X.*±3.0"	X.±0.30	.X"±2.0"	.X±0.25	.XX"±1.0"	.XX±0.20	.XXX"±0.5"	.XXX±0.10	<p>DESIGN: KIM DATE: 2012.10.17</p> <p>CHECKED: FLY DATE: 2012.10.17</p> <p>AUDITED: DATE:</p> <p>APPROVED: DATE:</p>		<p>DWG. NO. 140-CD305P20A3H</p> <p>PART NO. 140-D305P20A3H</p>		<p>TITLE. 140-RJ45 1x1 Dip GIGA through hole with LED 6u" NS</p>	
X.*±3.0"	X.±0.30																		
.X"±2.0"	.X±0.25																		
.XX"±1.0"	.XX±0.20																		
.XXX"±0.5"	.XXX±0.10																		
REV. 01	UNIT. mm	SCALE. 2:1	PAGE. 1/2																

REV.	LOCAS.	DESCRIPTION	DATE	DRAWN
01	NEW	INITIAL RELEASE.	2012.07.17	KIM



- 1. Electrical Specification @25°C:**
- Insertion Loss: @ 1-100 MHz -1.0dB Max.
Return Loss: @ 1-30 MHz -18dB Min. LOAD 100 Ω.
@ 30-60 MHz -16dB Min. LOAD 100 Ω.
@ 60-80 MHz -12dB Min. LOAD 100 Ω.
 - Common Mode Rejection : @ 1-100 MHz -30dB Min.
 - Cross Talk: @ 1-100 MHz -30dB Min.
 - Inductance @100KHz/0.1V 350uH Min 8mA DC bias .
 - Hi-Pot Test:1500AC,1sec .

<p>All connectors</p> <p>www.allconnectors.com info@allconnectors.com Tel: +9042 711 7009503 Fax: 0049 711 7009504 70791 Filderstadt - Germany</p>				<p>GENERAL TOLERANCE</p> <table border="1"> <tr> <td>X.*±3.0"</td> <td>X.±0.30</td> </tr> <tr> <td>.X"±2.0"</td> <td>.X±0.25</td> </tr> <tr> <td>.XX"±1.0"</td> <td>.XX±0.20</td> </tr> <tr> <td>.XXX"±0.5"</td> <td>.XXX±0.10</td> </tr> </table>		X.*±3.0"	X.±0.30	.X"±2.0"	.X±0.25	.XX"±1.0"	.XX±0.20	.XXX"±0.5"	.XXX±0.10	<p>DESIGN: KIM DATE: 2012.10.17</p> <p>CHECKED: FLY DATE: 2012.10.17</p> <p>AUDITED: DATE:</p> <p>APPROVED: DATE:</p>		<p>DWG. NO. 140-CD305P20A3H</p> <p>PART NO. 140-D305P20A3H</p>		<p>TITLE. 140-RJ45 1x1 Dip GIGA through hole WITH LED 6u" NS</p>	
X.*±3.0"	X.±0.30																		
.X"±2.0"	.X±0.25																		
.XX"±1.0"	.XX±0.20																		
.XXX"±0.5"	.XXX±0.10																		
REV. 01	UNIT. mm	SCALE. 2:1	PAGE. 1/2																