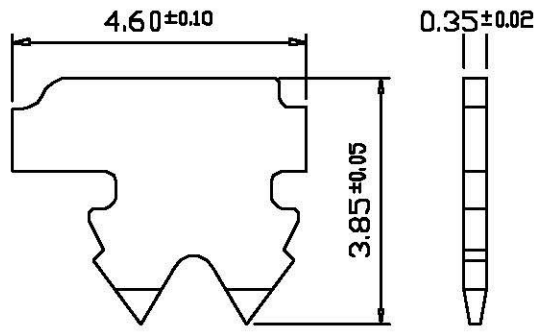
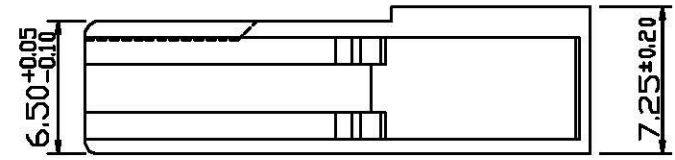
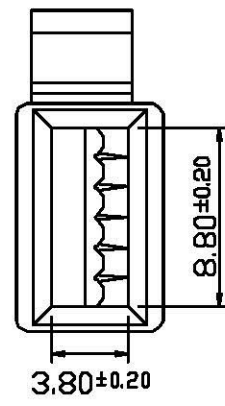
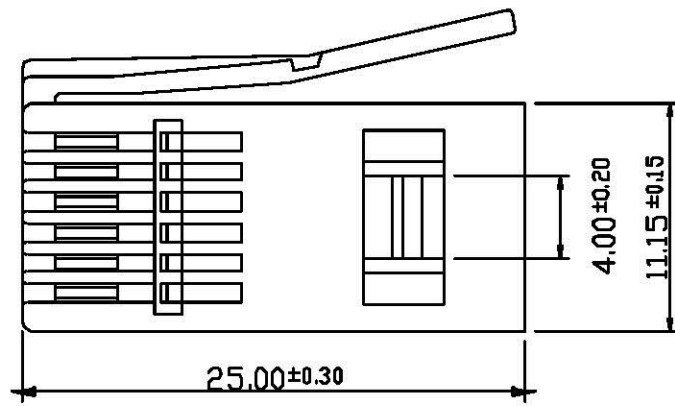


MP6P6C UK



2 PRONGS FOR STRANDED WIRE
多芯線用二叉型金片

UK-P-0606-LF
LEADFREE
RoHS Compliant

Allconnectors
www.allconnectors.de
Tel: 0049 711 709500
70754 Hilderstadt - Germany
info@allconnectors.de
Fax: 0049 711 709501
Kettnerstr. 25

PART NO. UK-P-0606

DWG NO. UK-P-0606

CHECKED BY CY

TOLERANCES ARE

DESCRIP TION:

FILE NO.

DRAWING BY

.X ± 0.2
.XX ± 0.1
.XXX ±
AWG

AREA

REVISIONS

HK

DATE

UNIT / mm

SCALE 1:1

PROJECTION