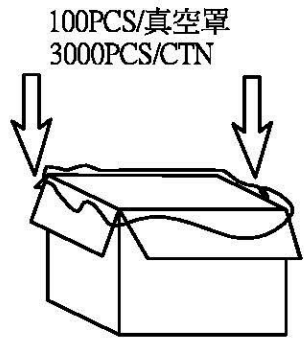
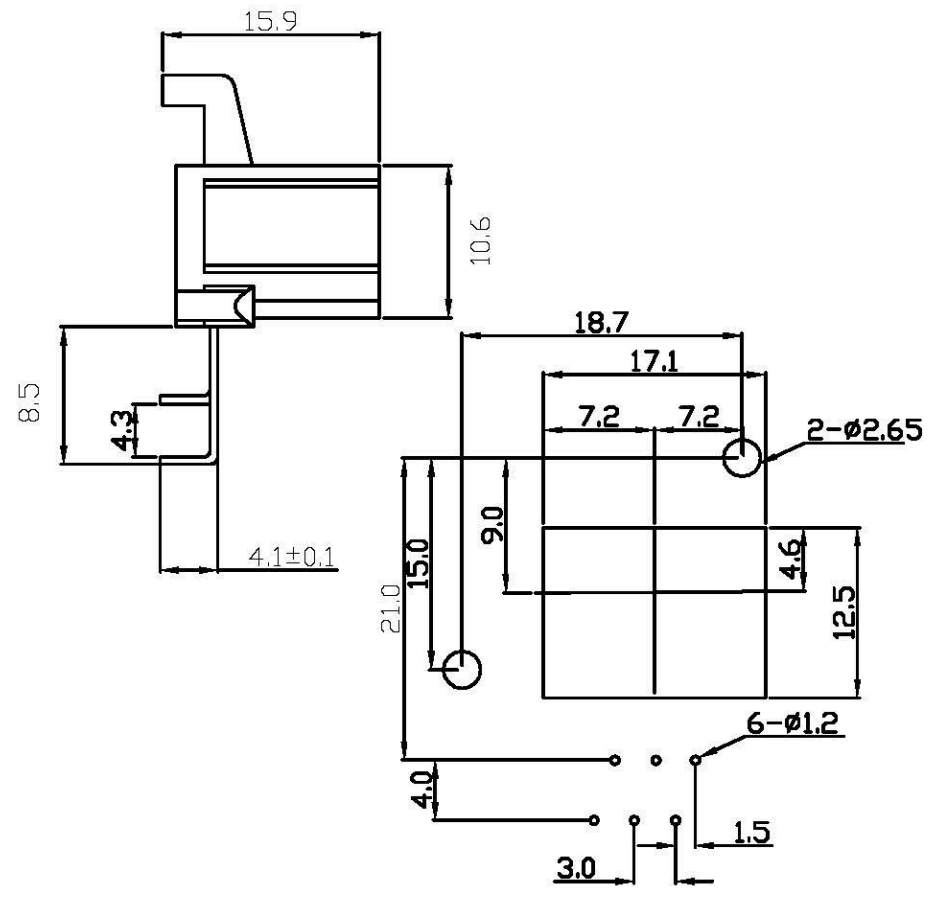
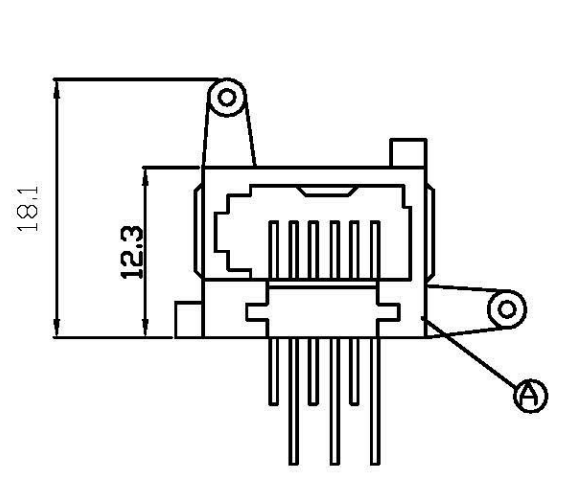
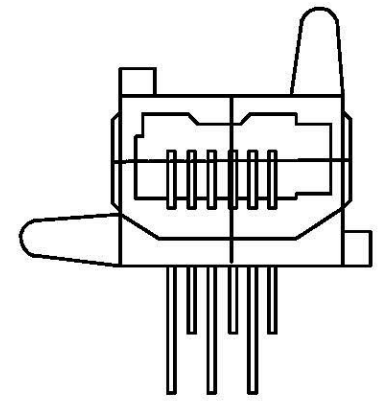


1 2 3 4 5 6 7 8 9 0

J  
I  
H  
G  
F  
E  
D  
C  
B  
A



100PCS/真空罩  
3000PCS/CTN



A	JACK	UK JACK 6P6C ABS 94V-2 WHITE	PCS	1
ITEM NO	ITEM	DESCRIPTION	UNIT	QTY

UK-JBP-0606-LF  
LEADFREE

RoHS Compliant

**Allconnectors**

www.allconnectors.de  
Tel.: 0049 711 7009503  
40/99 Hildesheim, Germany

Info@allconnectors.de  
Fax: 0049 711 7009504  
Kulldomstr. 25

PART NO. UK-JBP-0606		CHECKED BY CY	TOLERANCES ARE .X ± 0.2 .XX ± .XXX ± AWG	DESCRIPTION: UK BOTTOM ENTRY PCB JACK			
DWG NO. UK-JBP-0606				DRAWING BY	AREA	REVISIONS	HK
FILE NO.		PROJECTION					
UNIT / mm	SCALE 1:1						