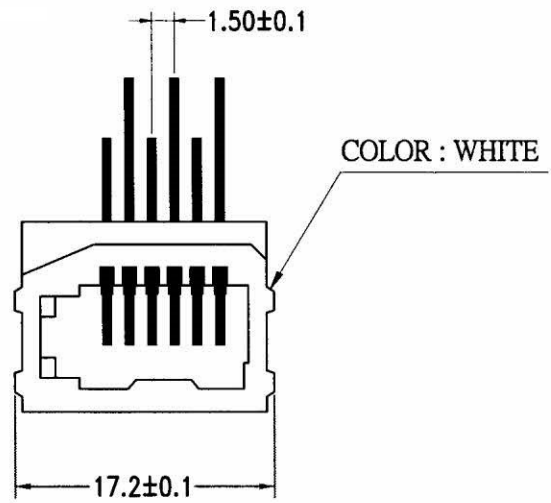
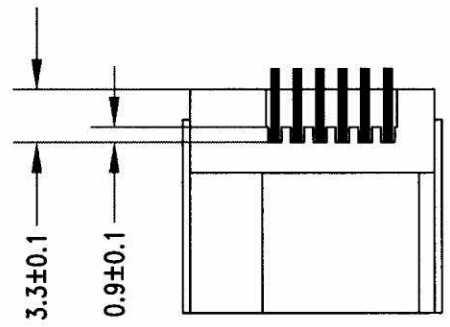
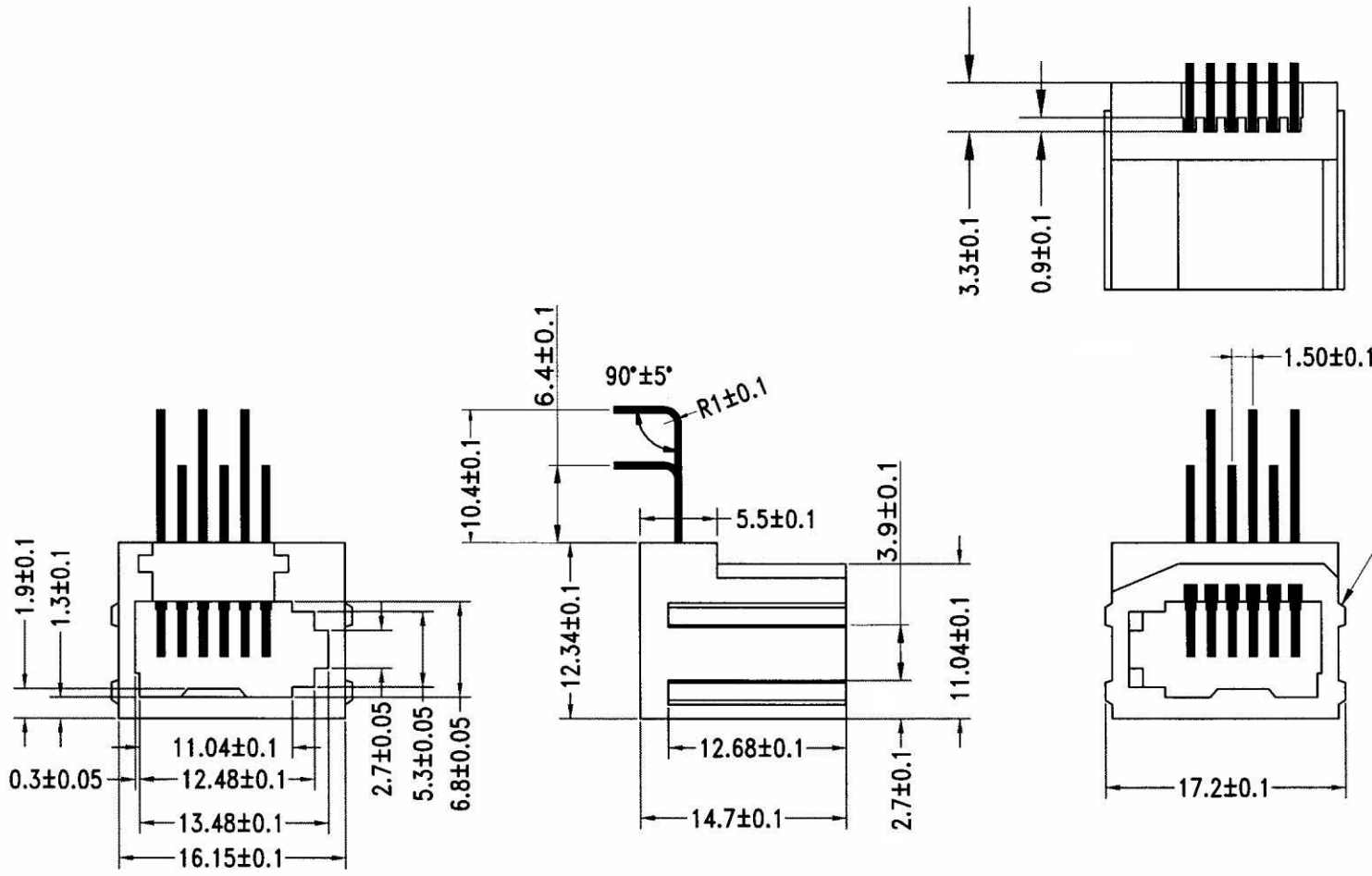


1 2 3 4 5 6 7 8 9 0

J  
I  
H  
G  
F  
E  
D  
C  
B  
A



**UK-JB-0606-LF**  
LEADFREE  
**RoHS Compliant**

**All Connectors**  
www.allconnectors.de  
Tel.: 0049 711 7009503  
70704 Tilderstedt - Germany

info@allconnectors.de  
Fax: 0049 711 7005504  
Kettnerstr. 25

PART NO. UK-JB-0606	
DWG NO. UK-JB-0606	
FILE NO.	
UNIT / mm	SCALE 1:1

CHECKED BY CY	TOLERANCES ARE .X ± 0.2 .XX ± .XXX ± AWG
DRAWING BY	
PROJECTION	

DESCRIPTION:			
AREA	REVISIONS	HK	DATE