

MATERIALS:

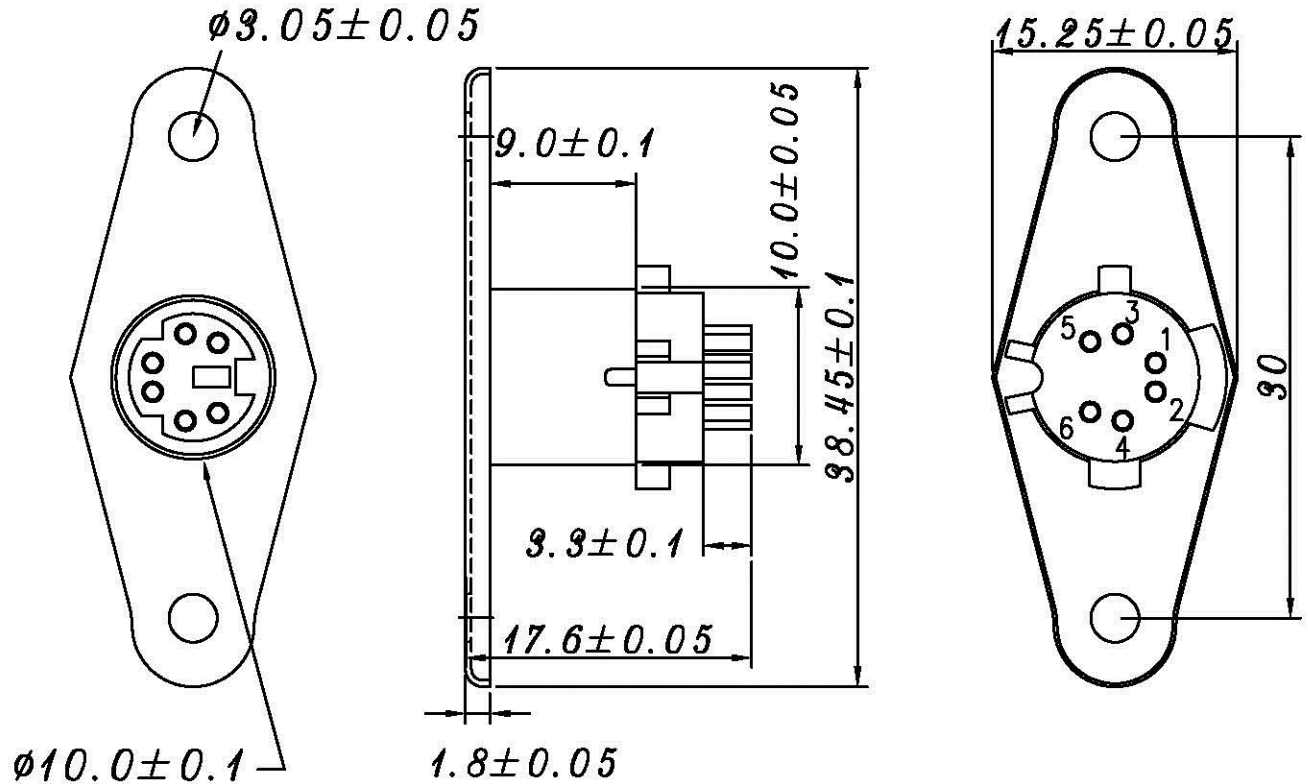
HOUSING: FIBER+NULON

METAL SHELL: BRASS/NICKEL PLATED

CONTACTS: PHOSPHOR BRANZESILVER PLATED

SPECIFICATIONS:

1. RATION: 100V AC 1A MAX or 12V DC 2A MAX.
2. INSULATION RESISTANCE: 50M OHM MIN at 250V DC.
3. DIELECTRIC STRENGTH: 250 V AC / 1 MINUTE.
4. CONTACT RESISTANCE: 30M OHM MAX.
5. INSERTION FORCE: 4.5KG MAX.
6. WITHDRAWAL FORCE: 0.9KG ~ 3KG.



All Connectors

www.allconnectors.de
 info@allconnectors.de
 Tel.: 0049 711 7005905
 Fax: 0049 711 7005901
 70794 Filzschludl - Germany
 Kellernstr. 25

PART NO. MDS-SPL-xx

DWG NO. MDS-SPL-xx

FILE NO.

UNIT / mm

SCALE 1:1

APPROVED BY CY

DRAWING BY

PROJECTION

TOLERANCES ARE

.X ±0.05
 .XX
 .XXX
 AWG

DESCRIP TION:

**MINI DIN SOCKET
 METAL PANEL MT**

AREA

REVISIONS

HK

DATE