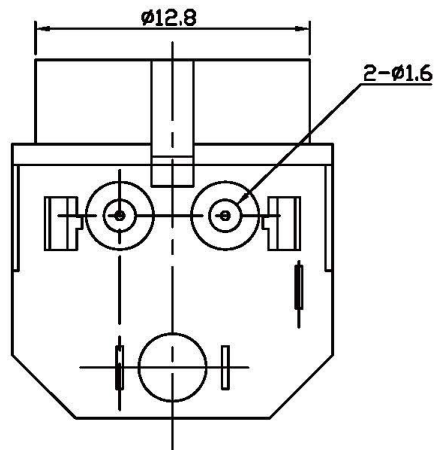


T:1.6 Dimensions of PC board holes
Tolerance : ±0.1(Printed-Top view)



| | | | | | | |
|-----|----------------|-----|-----------------------|-------|----------------|--------|
| 5 | TERMINAL | 1 | C5191 | t=0.3 | MB:Cu Sn | PLATED |
| 4 | GROUND CONTACT | 1 | C2680 | t=0.4 | MB:Cu Cu/Sn | PLATED |
| 3 | TERMINAL | 2 | C2680 | t=0.3 | MB:Cu Sn | PLATED |
| 2 | COVER | 1 | PBT 4815 | | UL-94V0(BLACK) | |
| 1 | HOUSING | 1 | PBT 4815 | | UL-94V0(BLACK) | |
| LTR | PART NAME | QTY | MATERIAL(THICK,COLOR) | | REMARK | |

UNLESS OTHERWISE SPECIFIED, TOLERANCE ON DECIMAL: ±0.3

All Connectors

www.allconnectors.de
Tel.: 0049 711 7009503
70794 Filderstadt - Germany

info@allconnectors.de
Fax: 0049 711 7009504
Kettnerstr. 25

RoHS Compliant

DRAWING BY CY
CHECKED BY GENIUS
UNIT/mm SCALE 1:1
DATE
SIZE A4

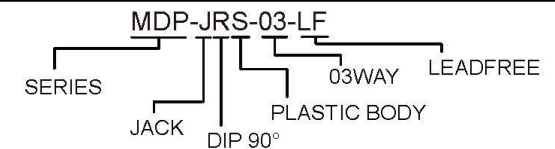
TOLERANCES ARE

X ±
.X ±
.XX ±
.XXX ±
ANG ±

PJECTION



ORDER INFORMATION



DESCRIPTION: