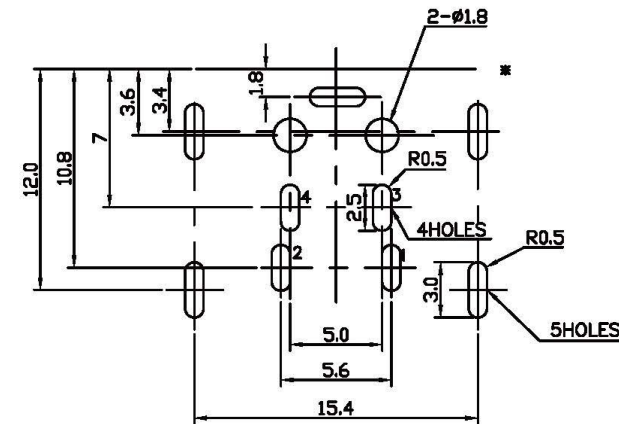
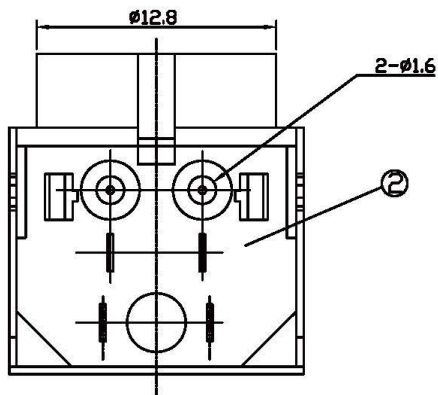


SCHEMATIC DIAGRAM



T:1.6 Dimensions of PC board holes
Tolerance : ±0.1(Printed-Top view)



UNLESS OTHERWISE SPECIFIED, TOLERANCE ON DECIMAL: ±0.3

5	COAT	1	SPCC	t=0.4	MB:Cu	Cu/Sn	PLATED
4	GROUND CONTACT	1	C2680	t=0.4	MB:Cu	Cu/Sn	PLATED
3	TERMINAL	4	C2680	t=0.3	MB:Cu	Ag	PLATED
2	COVER	1	PBT 4815		UL-94V0(BLACK)		
1	HOUSING	1	PBT 4815		UL-94V0(BLACK)		
LTR	PART NAME	QTY	MATERIAL		REMARK		

All Connectors

www.allconnectors.de

Tel.: 0049 711 7009503

70794 Filderstadt - Germany

info@allconnectors.de

Fax: 0049 711 7009504

Kettnerstr. 25

RoHS Compliant

DRAWING BY CY

CHECKED BY GENIUS

UNIT/mm SCALE 1:1

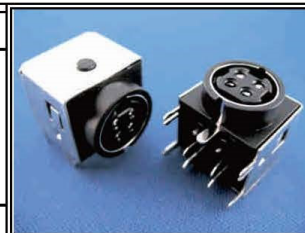
DATE

SIZE A4

TOLERANCES ARE

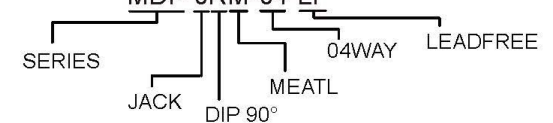
X ±
X ±
.XX ±
.XXX ±
ANG ±

PJECTION



ORDER INFORMATION

MDP-JRM-04-LF



DESCRIPTION: