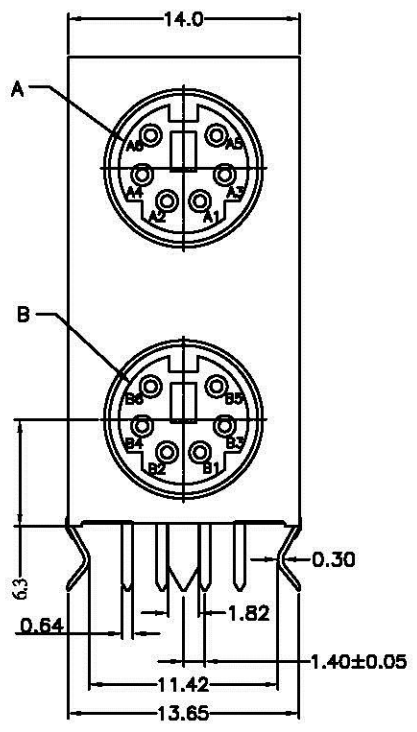


1 2 3 4 5 6 7 8 9 0

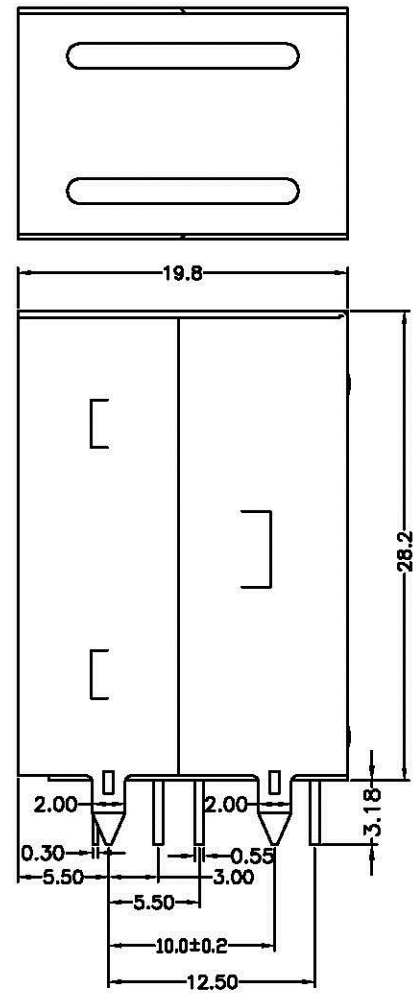
J  
I  
H  
G  
F  
E  
D  
C  
B  
A

**MATERIAL**  
 INSULATOR: PBT UL94V-0  
 CONTACT: Phosphor Bronze, Gold/Tin plated  
 SHELL: Brass(0.3T), TIN PLATED  
**ENVIRONMENTAL**  
 OPERATING TEMPERATURE: -55°~+105°  
**ELECTRICAL**  
 CONTACT CURRENT RATING: 1 Amp  
 DIELECTRIC WITHSTANDING : AC 1000V min. Per minute  
 INSULATION RESISTANCE: 500MΩ min.at 500V DC  
 CONTACT RESISTANCE: 30mΩ Max

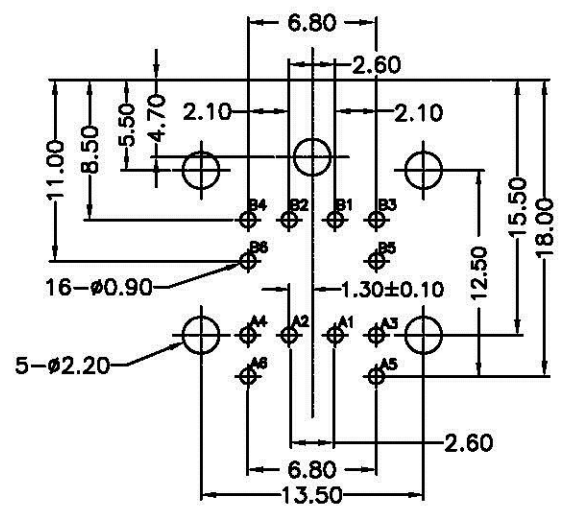
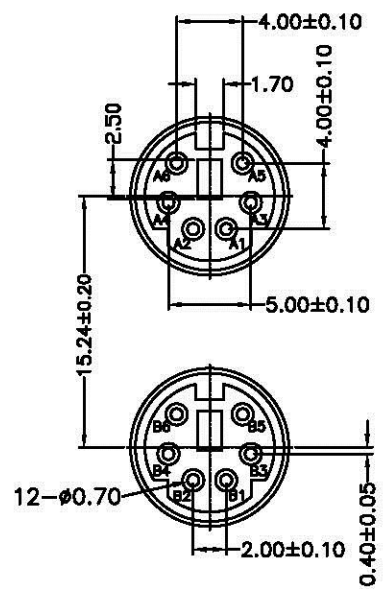
Part No.	A COLOR	B COLOR	SHELL PLATING
MDJB1-F99-06	GREEN	PURPLE	TIN PLATED



FRONT VIEW



SIDE VIEW



(Top View)

MDJB1-F99-06-LF  
LEADFREE

RoHS Compliant

**All Connectors**  
 www.allconnectors.de  
 TEL: 0049 7141 400000  
 70734 Hilbertshausen - Germany  
 info@allconnectors.de  
 FAX: 0049 7141 400009  
 Kettelerstr. 75

PART NO. MDJB1-F99-06

DWG NO. MDJB1-F99-06

FILE NO.

UNIT / mm

SCALE 1:1

CHECKED BY CY

DRAWING BY

PROJECTION

TOLERANCES ARE

X ± 0.2  
 XX ±  
 XXX ±  
 AWG

DESCRIP TION:

迷你雙層6P母半金綠+紫  
鐵殼不加彈 鍍錫 無漆

AREA

REVISIONS

HK

DATE