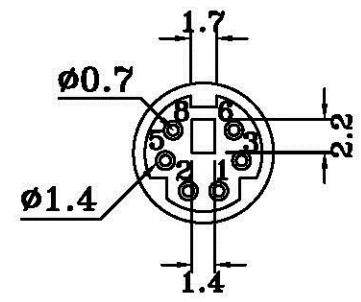
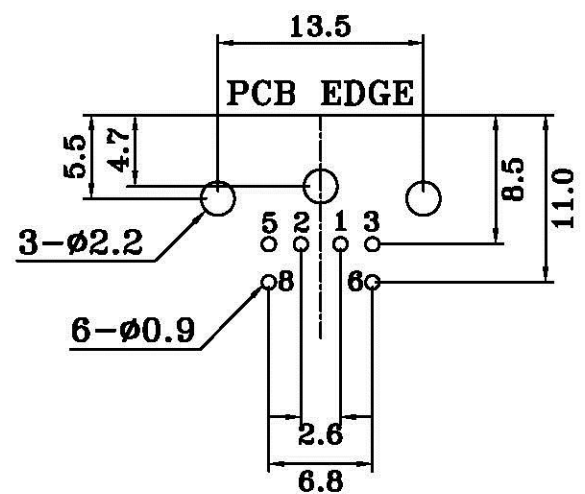
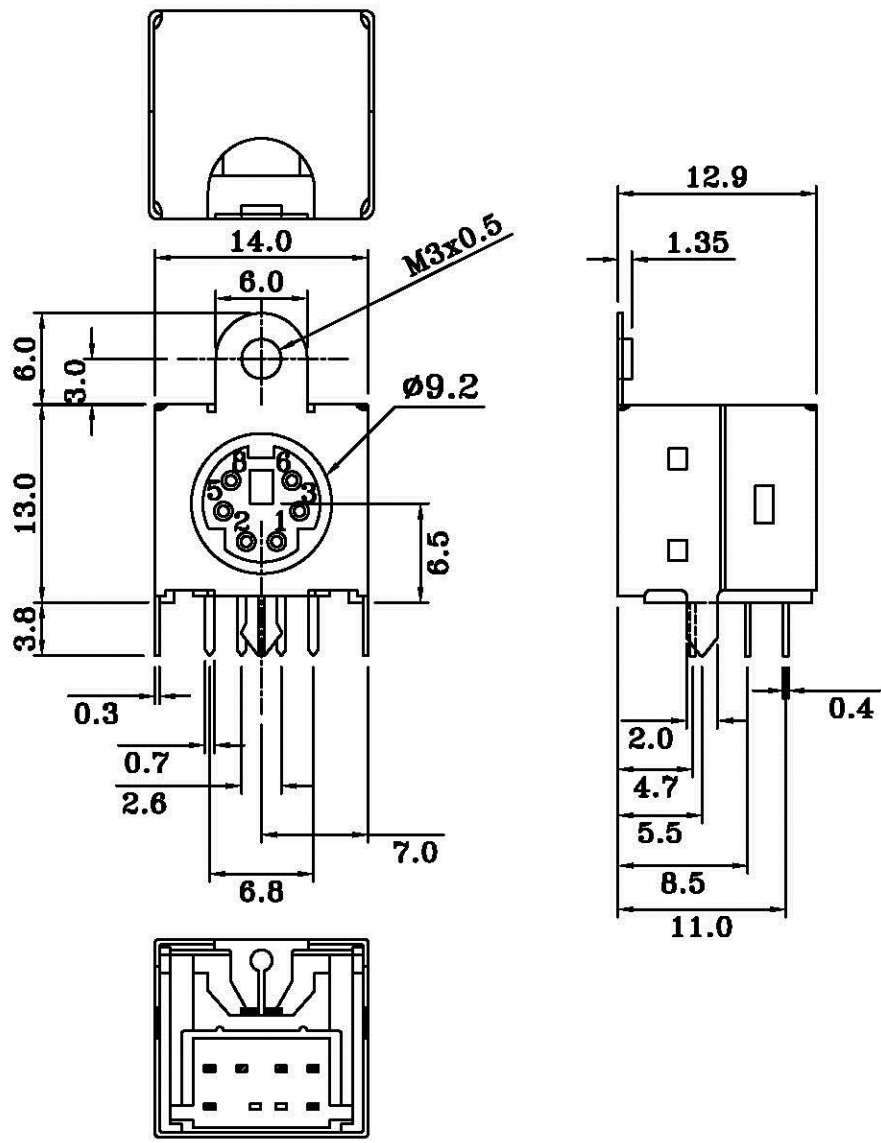


1 2 3 4 5 6 7 8 9 0

J
I
H
G
F
E
D
C
B
A



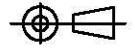
PCB LAYOUT
(BOTTOM VIEW)

MDJ-FN-06-LF
LEADFREE

RoHS Compliant

NO.	NAME	MATERIAL	FINISH	Q'TY	REMARK
1	HOUSING	P.B.T.	BLACK	1	
2	CONTACT	PHOS. BRONZE	GOLD/TIN PLATED	6	Nl:1~5u ; TIN:3u GOLD:1~3u
3	SHIELD	COPPER ALLOY	TIN PLATED	1	TIN:3~5u
4	BACK COVER	P.B.T.	BLACK	1	

All Connectors
www.allconnectors.de
 Tel.: 0049 711 709568
 70794 Filberstadt - Germany
info@allconnectors.de
 Fax: 0049 711 709574
 Kettnerstr. 25

PART NO. MDJ-FN-06		CHECKED BY CY		TOLERANCES ARE .X±0.3 .XX± .XXX± AWG		DESCRIPTION: MINI DIN JACK		
DWG NO. MDJ-FN-06		DRAWING BY						
FILE NO.		PROJECTION 		AREA	REVISIONS	HK	DATE	
UNIT / mm	SCALE 1:1							