

MATERIAL

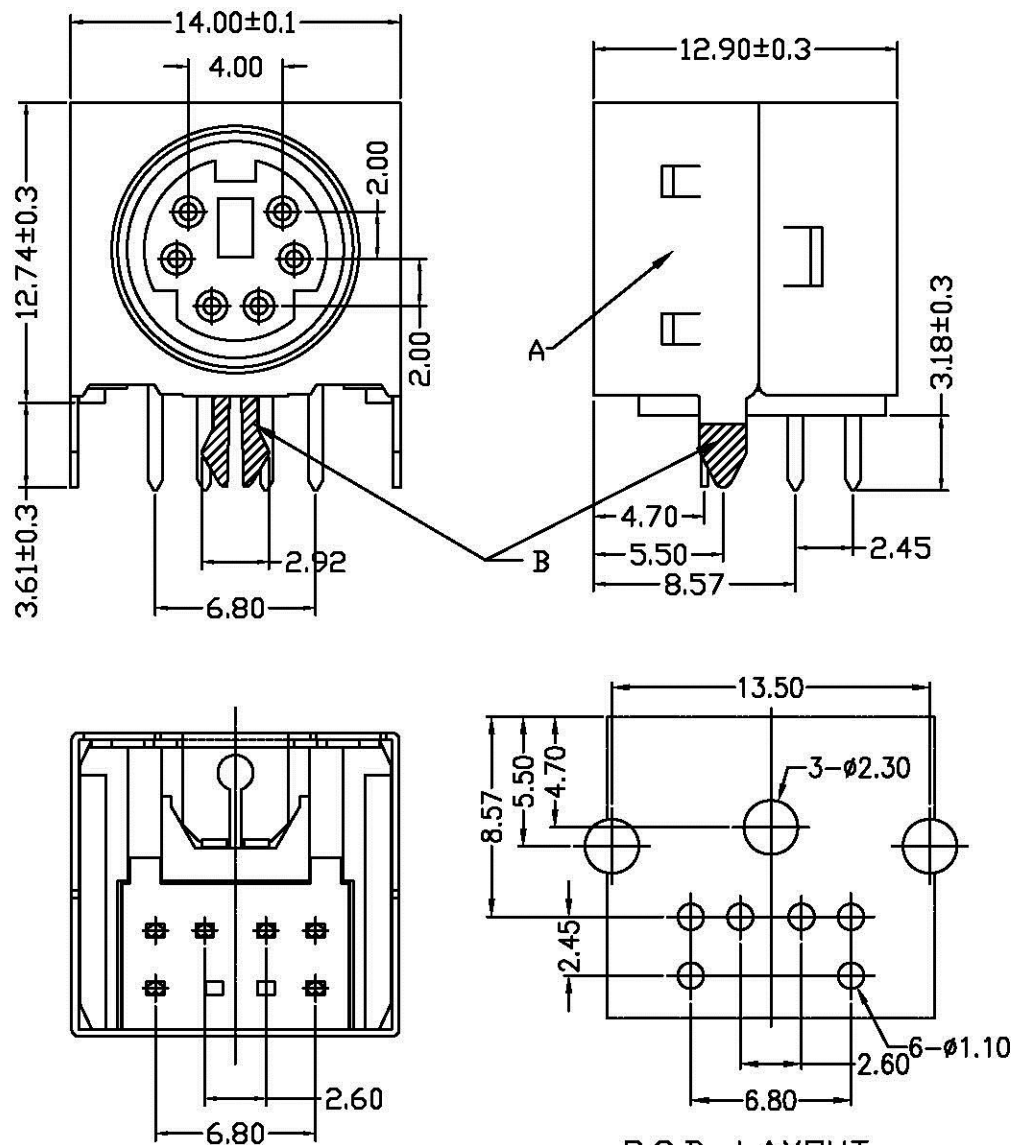
INSULATOR: PBT UL 94V-0 Or PPS
 SHELL: Brass, Nickel/Tin plated Or Tin Plated
 CONTACT: Phosphor Bronze, Gold/Tin plated

ENVIRONMENTAL

OPERATING TEMPERATURE: -55°C~+105°C

ELECTRICAL

CONTACT CURRENT RATING: 1 Amp
 DIELECTRIC WITHSTANDING : AC 1000V/min. R.M.S.
 INSULATION RESISTANCE: 500M Ω min. at 500V DC
 CONTACT RESISTANCE: 30m Ω Max



**P.C.B. LAYOUT
 BOTTOM VIEW**

<p>www.allconnectors.de Tel.: 0049 711 7006304 70794 Illerstadt - Germany</p> <p>info@allconnectors.de Fax: 0049 711 7006321 Kettnerstr. 28</p>	PART NO. MDJ-F-06		CHECKED BY CY	TOLERANCES ARE .X ± 0.38 .XX ± 0.25 .XXX ± AWG	DESCRIPTION: 迷你單層6P母半金黑 (鐵殼鍍錫無嗶不加彈)	AREA	REVISIONS	HK	DATE
	DWG NO. MDJ-F-06								
	FILE NO.		PROJECTION						
	UNIT / mm	SCALE 1:1							