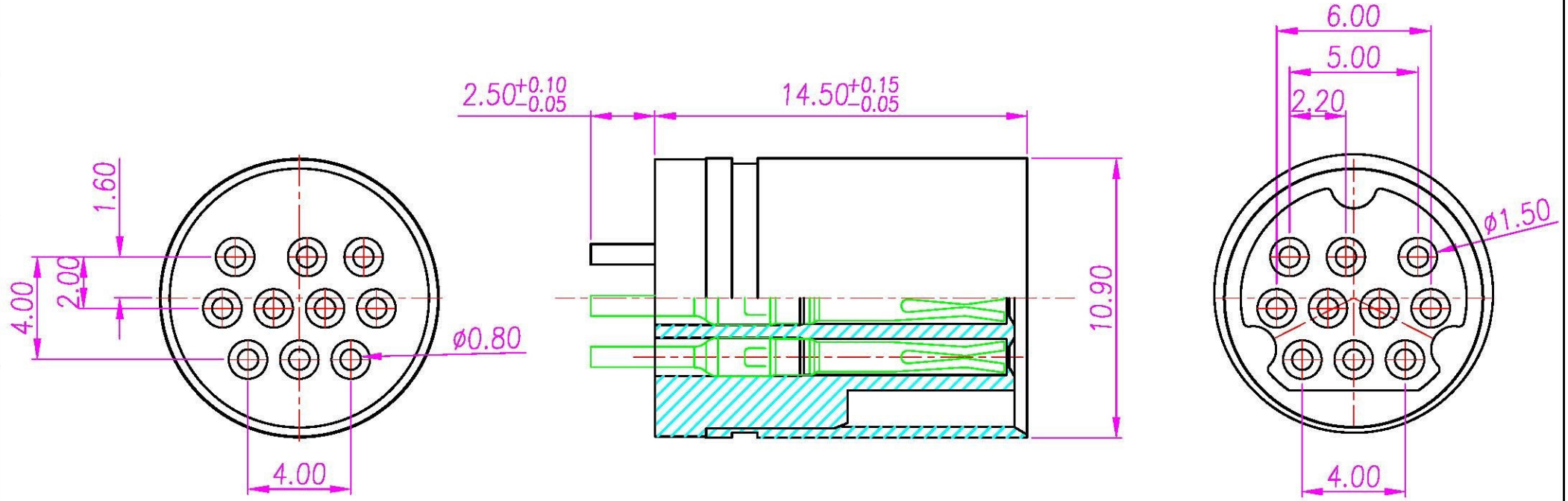


This document is the property of Nan-Yeong Corporation and is delivered on the express condition that it is not to be disclosed, reproduced or used, in whole or in part, for manufacture or sale by anyone other than Nan-Yeong Corporation without its prior consent, and that no right is granted to disclose or to use any information in this document.

CUSTOMER DRAWING

REV.	DESCRIPTION	APPROVED BY	DATE	ECN NO.
A	RELEASE	Fido Veng	09/11/10*	
B				
C				



1. MATERIAL :
 - 1-1. HOUSING : PBT UL94V-0 ; COLOR : BLACK
 - 1-2. CONTACT : PHOSPHOR BRONZE
 - 1-3. SHELL : BRASS
2. FINISH :
 - 2-1. CONTACT : SILVER
 - 2-2. SHELL : NICKEL

DRAWN	Jen Xie	APPEND	Fido Veng	UNIT	mm	TOLERANCE		All Connectors www.allconnectors.de Tel: 0049 711 403503 70794 Filderstadt, Germany	info@allconnectors.de Fax: 0049 711 403501 Kellernstr. 25	TITLE	MiniDin 10PIN(F) 连接器(平口+防呆型)			SHEET	
CHKD	Emily Suen			SCALE	1:1	x ±0.20 xx ±0.10 xxx ±0.05 xxxx ±0.03 ANGULA ±1°				PART NO.	MD-10F2-03	DWG NO.	QC3775	VERSION	