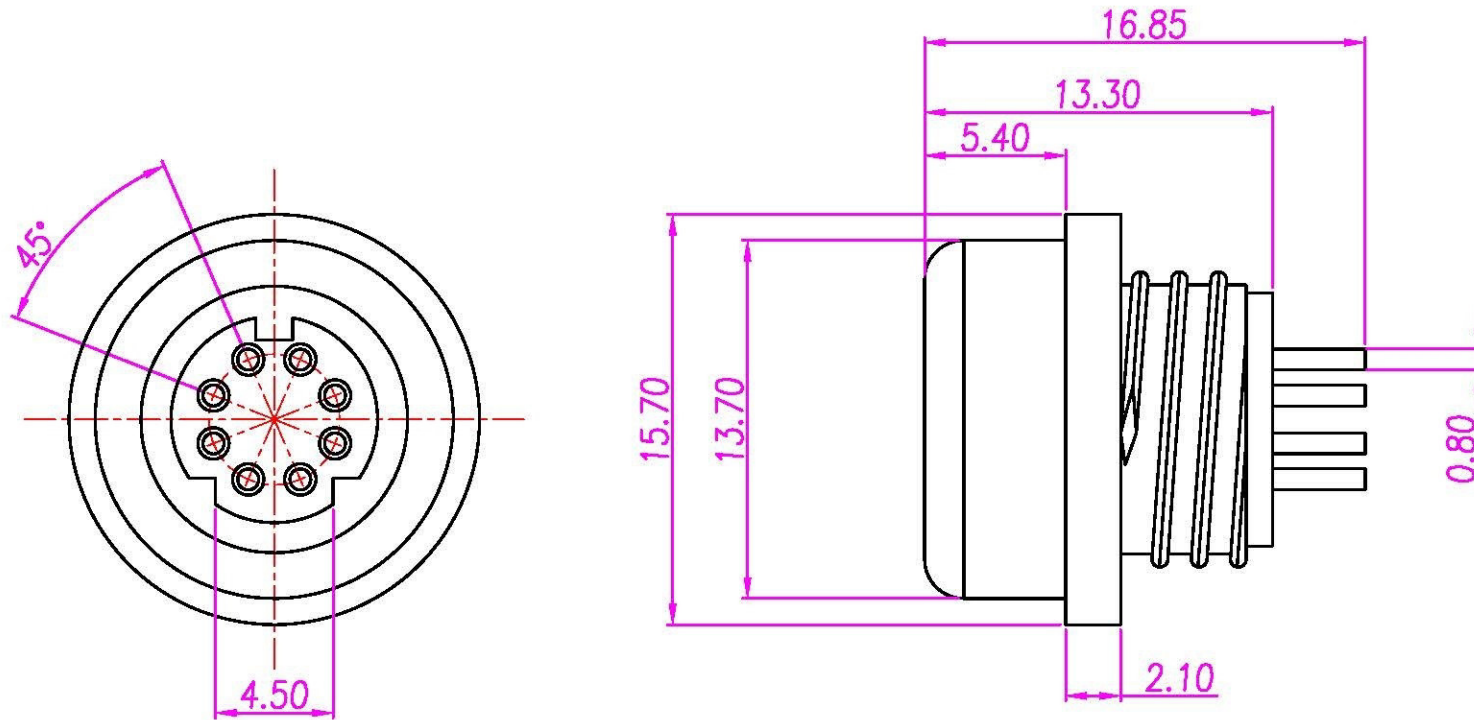


This document is the property of Nan-Yeong Corporation and is delivered on the express condition that it is not to be disclosed, reproduced or used, in whole or in part, for manufacture or sale by anyone other than Nan-Yeong Corporation without its prior consent, and that no right is granted to disclose or to use any information in this document.

CUSTOMER DRAWING

REV.	DESCRIPTION	APPROVED BY	DATE	ECN NO.
A	RELEASE	Fido Veng	25/04/11'	
B				
C				



1. MATERIAL :
 - 1-1. HOUSING : PBT UL94V-0 ; COLOR : BLACK.
 - 1-2. CONTACT : PHOSPHOR BRONZE .
2. FINISH :
 - 2-1. CONTACT : 60 MICRO INCHES MIN. SILVER PLATED
UNDER PLATE : NICKEL
 - 2-2. SHELL : NICKEL PLATED.
3. ELECTRICAL SPECIFICATION :
 - 3-1. Rated current : 1A
 - 3-2. Rated Voltage : 30V
4. Environmental :
 - 4-1. Operation Temperature : -20 °C~85°C

DRAWN	Ku Chou	APP'D	Fido Veng	UNIT	mm	TOLERANCE		TITLE	MiniDin 8 (F) 360 连接器			SHEET		
CHK'D	Emily Suen			SCALE	1:1	x ±0.20 xx ±0.10 xxx ±0.05 xxxx ±0.03 ANGULA ±1°		www.allconnectors.de Tel.: 0049 711 7002503 70791 Filberstadt - Germany	info@allconnectors.de Fax: 0049 711 7002504 Kellernstr. 25	PART NO.	MD-08F1-16	DWG NO.		QC5375