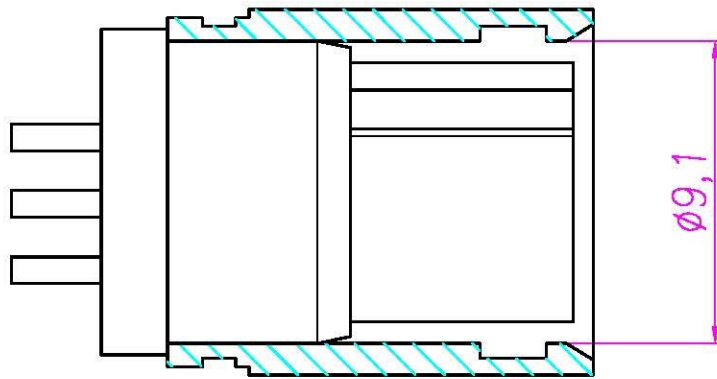
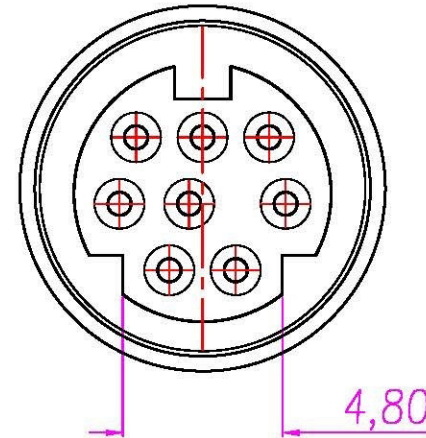
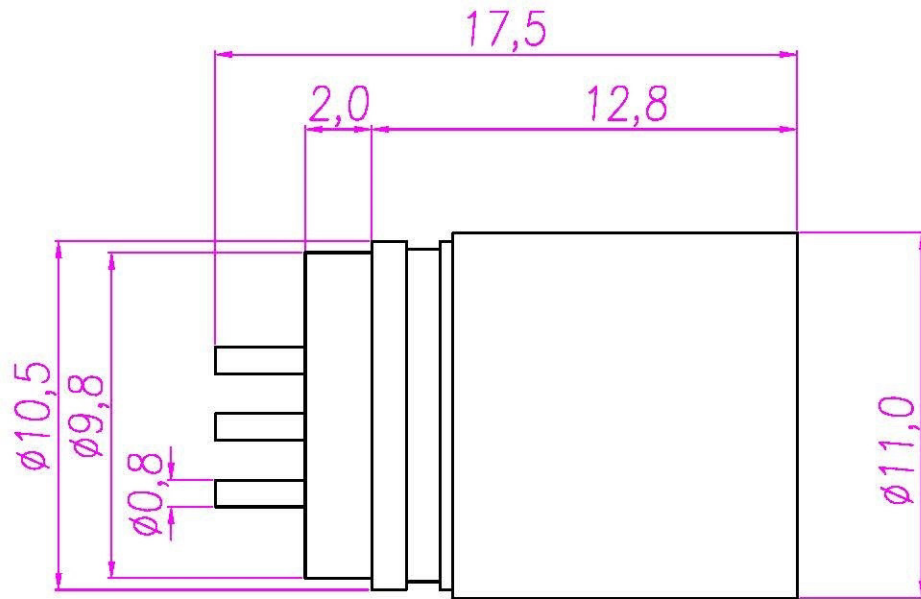


This document is the property of Nan-Yeong Corporation and is delivered on the express condition that it is not to be disclosed, reproduced or used, in whole or in part, for manufacture or sale by anyone other than Nan-Yeong Corporation without its prior consent, and that no right is granted to disclose or to use any information in this document.

CUSTOMER DRAWING

REV.	DESCRIPTION	APPROVED BY	DATE	ECN NO.
A	RELEASE	Fido Veng	02/02/12*	
B				
C				



備註/NOTE:

1. 材質/MATERIAL:

- 1-1. 膠芯/HOUSING: PBT (黑色/BLACK)
- 1-2. 針/PIN: 磷銅/PHOSPHOR BRONZE
- 1-3. 銅管/SHELL: 黃銅/BRASS

2. 電鍍/PLATING:

- 2-1. 銅管/SHELL: 鍍60u"/NICKEL60u"
- 2-2. 端子/PIN: 表金/GOLD FLASH

DRAWN	Ren Liao	APP'D	Fido Veng	UNIT	mm	TOLERANCE				TITLE	MiniDin 8(F)膠芯+PIN+銅管(內溝槽)		SHEET	
CHK'D	Enly Suen	SCALE	1:1	x	±0.10	www.allconnectors.de				info@allconnectors.de	PART NO.	MD-08F1-13	DWG NO.	