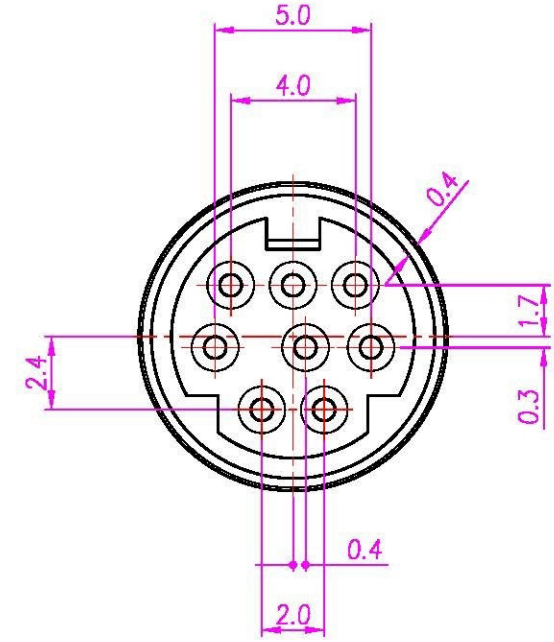
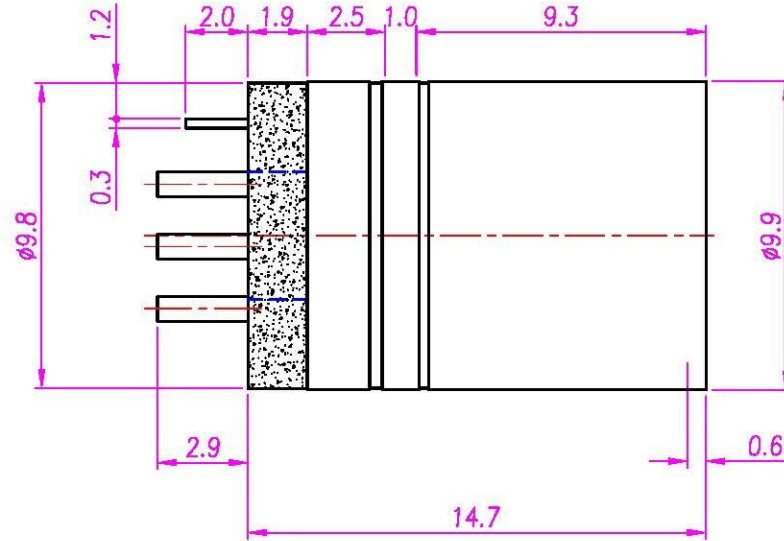
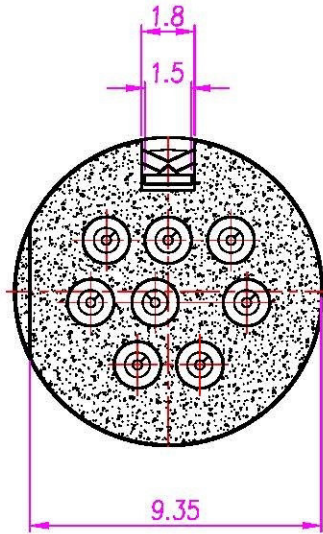


This document is the property of Nian-Yeong Corporation and is delivered on the express condition that it is not to be disclosed, reproduced or used, in whole or in part, for manufacture or sale by anyone other than Nian-Yeong Corporation without its prior consent, and that no right is granted to disclose or to use any information in this document.

CUSTOMER DRAWING

REV.	DESCRIPTION	APPROVED BY	DATE	ECN NO.
A	RELEASE & CHANGE DIM.	Fido Veng	10/21/11*	ECN11057
B	ADD P/N	Enly Suen	26/12/11*	
C	修改圖	Enly Suen	04/10/12*	ECN12027



備註 / NOTE:

1. 材質 / MATERIAL:

- 1-1. 膠芯 / HOUSING: PBT (黑色 / BLACK)
- 1-2. 針 / PIN: 黃銅 / BRASS
- 1-3. 銅管 / SHELL: 黃銅 / BRASS
- 1-4. 彈片 / SPRING: 磷銅 / PHOSPHOR BRONZE

2. 電鍍 / PLATING:

- 2-1. 針 / PIN: SEE TABLE A
- 2-2. 銅管 / SHELL: 鍍 / NICKEL
- 2-3. 彈片 / SPRING: 銀 / SILVER

TABLE A

P/N	DESCRIPTION	PLATING	有無彈片
MD-08F1-12	MD 8S(銀)成品 無彈片	銀 / SILVER	無
MD-08F1-11	MD 8S(表金)成品	表金 / GOLD FLASH	有
MD-08F1-07	MD 8S(銀)成品	銀 / SILVER	有

DRAWN	KU	APP'D	Enly Suen	UNIT	mm	TOLERANCE	Allconnectors		TITLE	MINI DIN 8PIN (F)			SHEET
CHK'D	Enly Suen			SCALE	1:1	.X ±0.20 .XX ±0.10 .XXX ±0.03 .XXXX ±0.01 ANGULA ±1°	www.allconnectors.de Tel: 0049 711 7009503 79724 Hilderstadt - Germany	info@allconnectors.de Fax: 0049 711 7009504 Kettenerstr. 25	PART NO.	SEE TABLE A	DWG NO.	QC0012	VERSION C