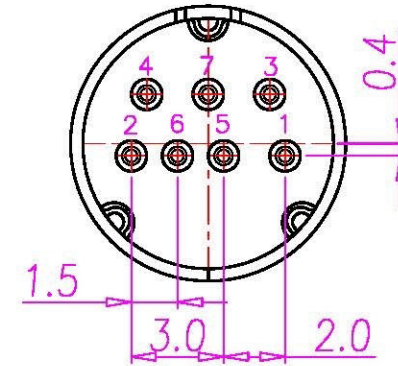
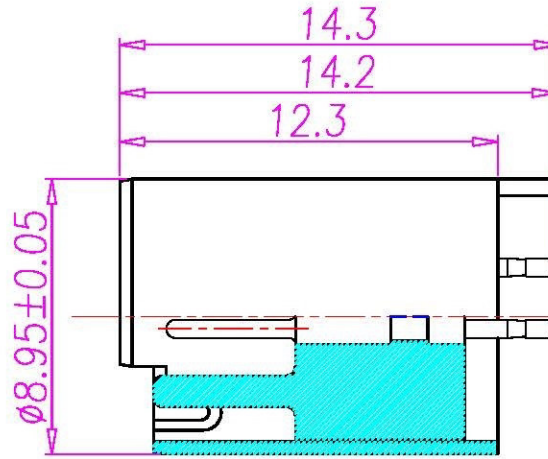
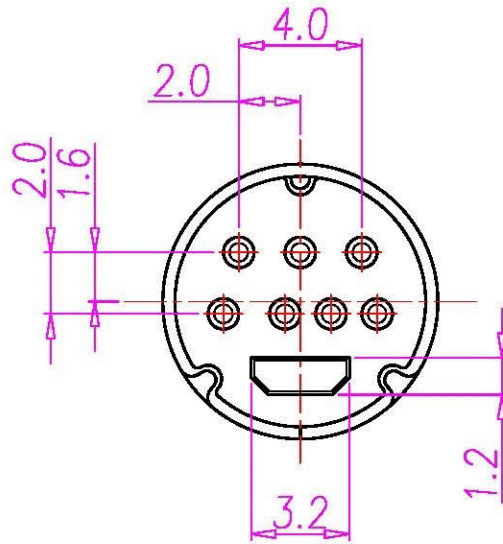


This document is the property of Nan-Yeong Corporation and is delivered on the express condition that it is not to be disclosed, reproduced or used, in whole or in part, for manufacture or sale by anyone other than Nan-Yeong Corporation without its prior consent, and that no right is granted to disclose or to use any information in this document.

QC DRAWING

REV.	DESCRIPTION	APPROVED BY	DATE	ECN NO.
A	RELEASE	Fido Veng	14/10/09	
B				
C				



1. MATERIAL :
 - 1-1. HOUSING : PBT UL94V-0 ; COLOR : BLACK
 - 1-2. CONTACT : BRASS
 - 1-3. SHELL : BRASS
2. FINISH :
 - 2-1. CONTACT : GOLD FLASH
 - 2-2. SHELL : NICKEL

DRAWN	Jen Xie	APPEND	UNIT	mm	TOLERANCE		TITLE	MiniDin 7(M) 900#			SHEET	
CHOKED			SCALE	1:1	X ±0.20 XX ±0.10 XXX ±0.05 XXXX ±0.03 ANGULA ±1°		www.allconnectors.de Tel.: 0049 711 7005503 90744 Flörsdorf Germany	info@allconnectors.de Fax: 0049 711 7005504 Kretzschmarstr. 25	PART NO.	MD-07M2-10	DWG NO.	QC2035