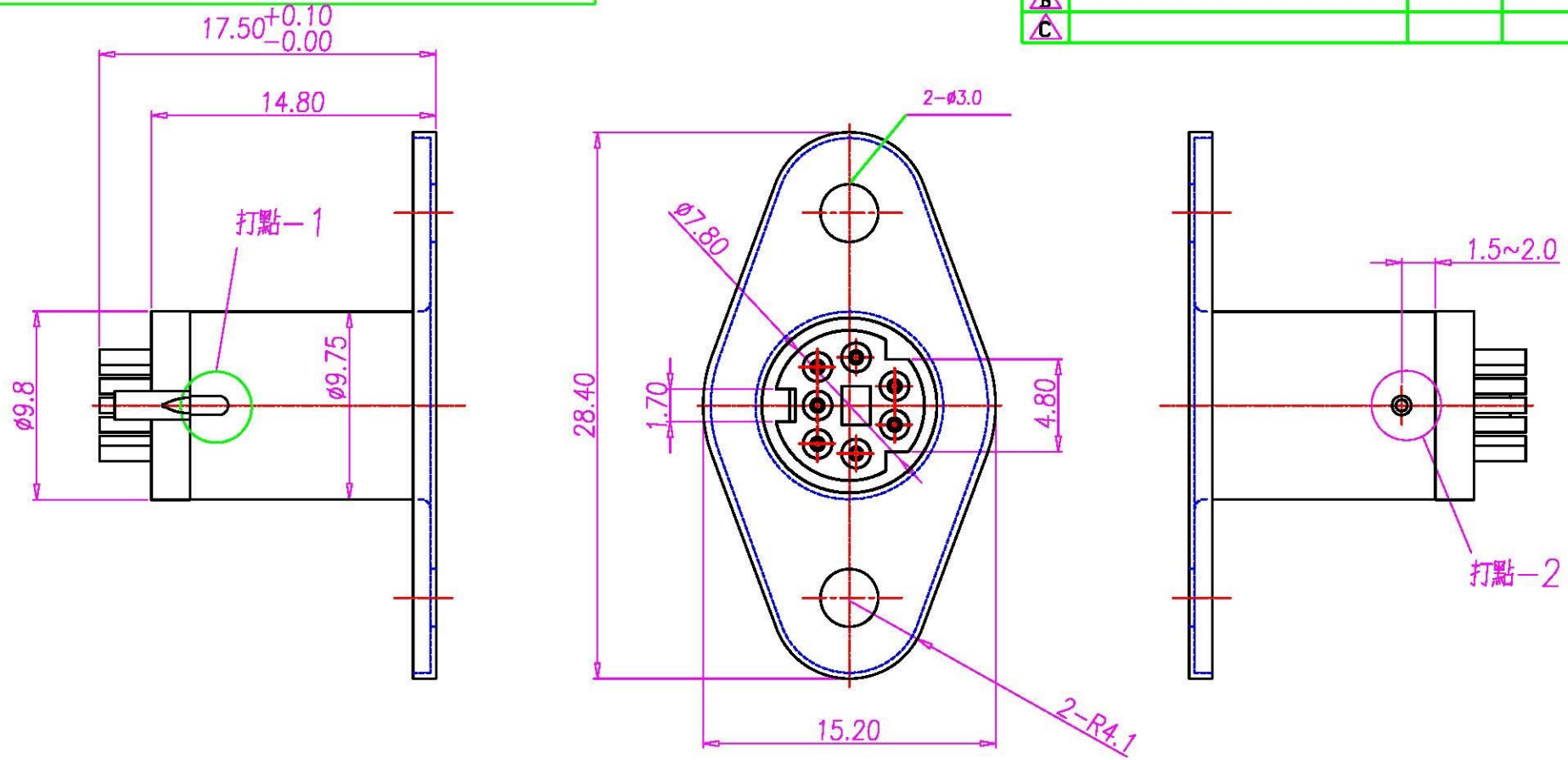


This document is the property of Nan-Yeong Corporation and is delivered on the express condition that it is not to be disclosed, reproduced or used, in whole or in part, for manufacture or sale by anyone other than Nan-Yeong Corporation without its prior consent, and that no right is granted to disclose or to use any information in this document.

CUSTOMER DRAWING

REV.	DESCRIPTION	APPROVED BY	DATE	ECN NO.
A	RELEASE	Fido Weng	31/08/10'	
B				
C				



- | | |
|--------------------------------|-----------------------|
| 1. MATERIAL : | 2. FINISH : |
| 1-1. HOUSING : PBT UL94V-0 | 2-1. CONTACT : SILVER |
| COLOR : BLACK | UNDER PLATE : NICKEL |
| 1-2. CONTACT : PHOSPHOR BRONZE | 2-2. SHELL : NICKEL |
| 1-3. SHELL : BRASS | 2-3. SPRING : SILVER |
| 1-4. SPRING : PHOSPHOR BRONZE | |

DRAWN	Jen Xie	APP'D	Fido Weng	UNIT	mm	TOLERANCE			TITLE	MiniDin 7(F) 雙層插孔			
CHK'D	Emily Suen	SCALE	1:1	TOLERANCE		www.allconnectors.de Tel.: 0049 711 7005508 70754 Pfilzstadt - Germany			info@allconnectors.de Fax: 0049 711 7005504 Kettnerstr. 25	PART NO.	MD-07F1-02	DWG NO.	