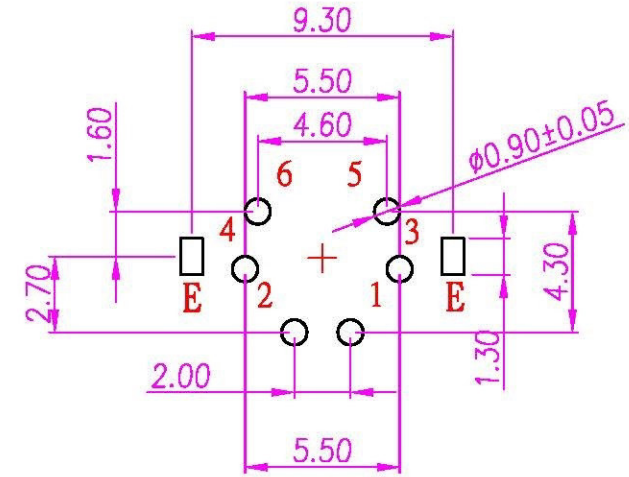
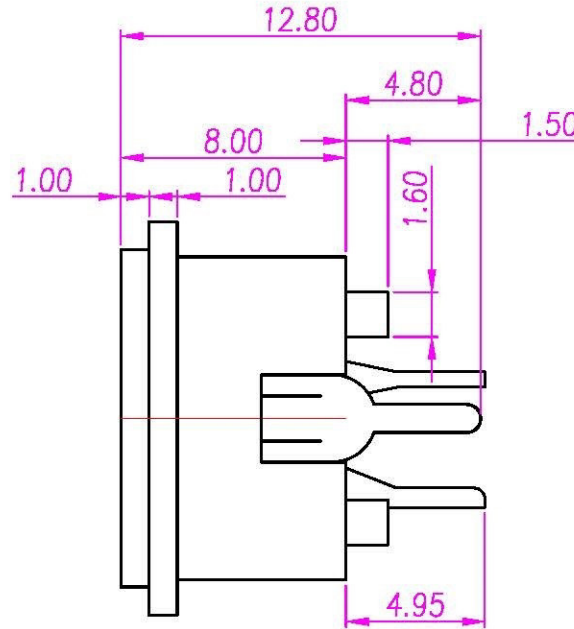
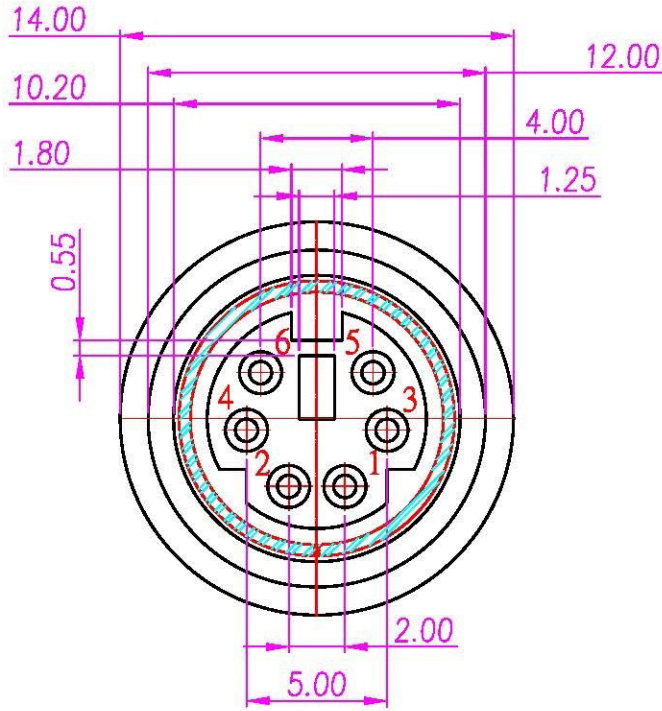


This document is the property of Nan-Yeong Corporation and is delivered on the express condition that it is not to be disclosed, reproduced or used, in whole or in part, for manufacture or sale by anyone other than Nan-Yeong Corporation without its prior consent, and that no right is granted to disclose or to use any information in this document.

# CUSTOMER DRAWING

REV.	DESCRIPTION	APPVL. BY	DATE	ECN NO.
A	RELEASE	Fido Veng	22/12/08*	
B				
C				



P.C.B HOLE LAYOUT

## 1. 材質/MATERIAL:

- 1.1. 端子/Contact: 黃銅/Brass t=0.2
- 1.2. 膠芯/Insulator :PBT+15%GF UL94V-0
- 1.3. 接地片/Earth Terminal: 黃銅 /Brass t=0.4

## 2.PLATING

- 2.1. 端子/Contact: 錫/Tin Plated
- 2.2. 接地片/Earth Terminal: 鍍/Nikel Plated: 60u"~80u"

DRAW	APPVL	UNIT	MM	TOLERANCE		TITLE	MINI DIN 6PIN(F) <del>MINI DIP</del>			SHEET	
CHECK		SCALE	1:1	X ±0.20 XX ±0.10 XXX ±0.05 XXXX ±0.03 ANGULA ±1°		www.allconnectors.de TEL: 0049 711 7009300 70721 Filderstadt - Germany	info@allconnectors.de Fax: 0049 711 7009301 Kestemerstr. 25	PART NO.	MD-06F2-05	DWG NO.	QC3168