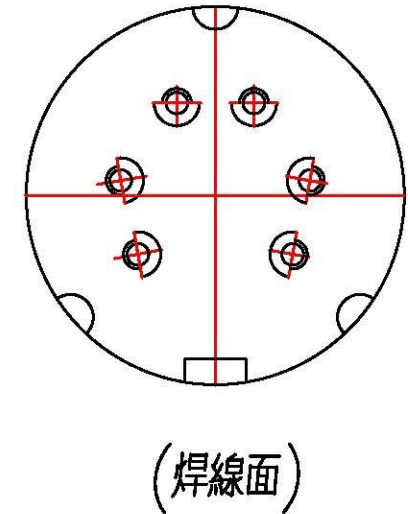
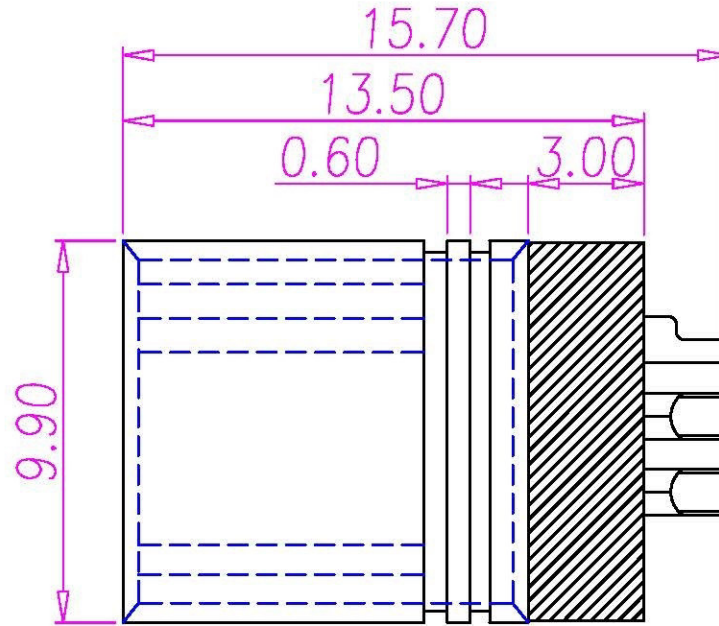
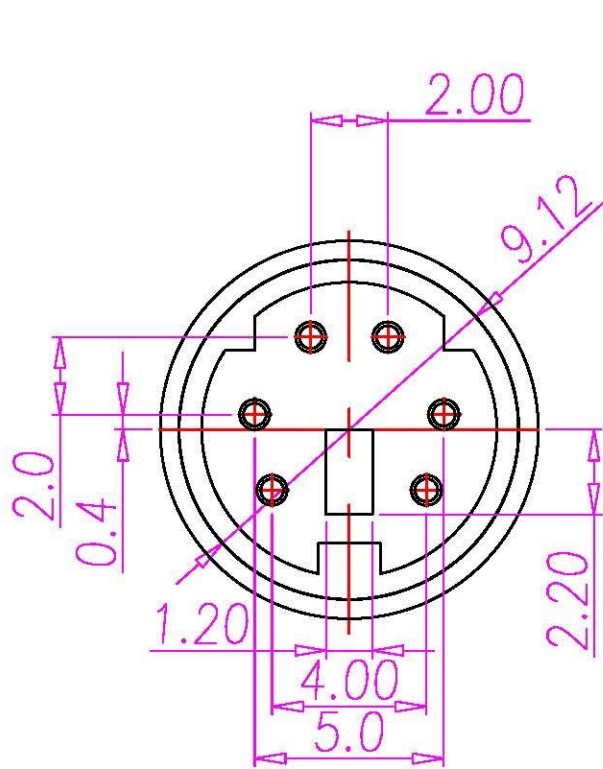


This document is the property of Nan-Yeong Corporation and is delivered on the express condition that it is not to be disclosed, reproduced or used, in whole or in part, for manufacture or sale by anyone other than Nan-Yeong Corporation without its prior consent, and that no right is granted to disclose or to use any information in this document.

CUSTOMER DRAWING

REV.	DESCRIPTION	APPROVED BY	DATE	ECN NO.
A	RELEASE	Fido Veng	22/12/08	
B				
C				



(焊線面)

- MATERIAL :
 - 1-1. HOUSING : PBT UL94V-0 ; COLOR : BLACK
 - 1-2. CONTACT : PHOSPHOR BRONZE
 - 1-3. SHELL : BRASS
- FINISH :
 - 2-1. CONTACT : GOLD FLASH
 - UNDER PLATE : NICKEL
 - 2-2. SHELL : NICKEL PLATED 60u" ~ 100u" OVER ALL

DRAWN	Jen Xie	APP'D	UNIT	MM	TOLERANCE	All Connectors		TITLE	6PIN 插口環	SHEET				
CHK'D			SCALE	1:1	XX ±0.20 XXX ±0.10 XXXX ±0.05 XXXXX ±0.03 ANGULA ±1°		www.allconnectors.de Tel: 0049 711 700503 70759 Filderstadt - Germany	info@allconnectors.de Fax: 0049 711 700504 Kettenstr. 25	PART NO.	MD-06F1-12	DWG NO.	QC2508	VERSION	A