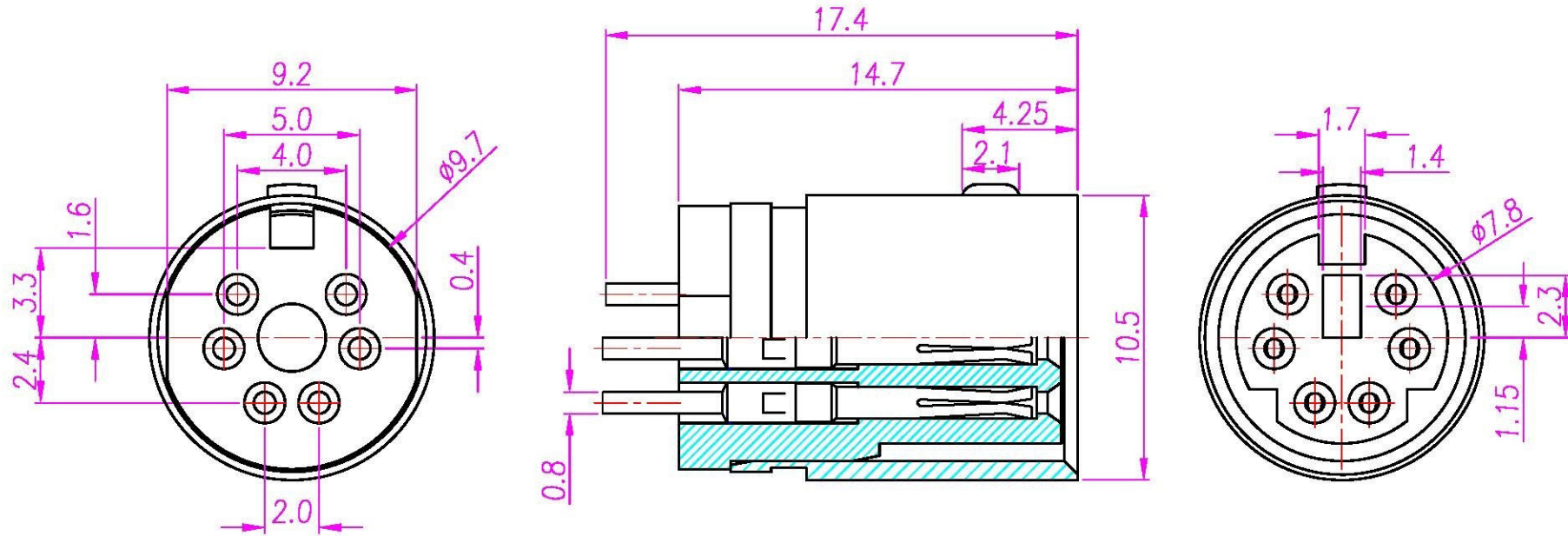


This document is the property of Nan-Yeong Corporation and is delivered on the express condition that it is not to be disclosed, reproduced or used, in whole or in part, for manufacture or sale by anyone other than Nan-Yeong Corporation without its prior consent, and that no right is granted to disclose or to use any information in this document.

CUSTOMER DRAWING

REV.	DESCRIPTION	APPROVED BY	DATE	ECN NO.
A	RELEASE	Fido Veng	22/12/08	
B				
C				



- MATERIAL :
 - HOUSING : PBT UL94V-0
COLOR : BLACK
 - CONTACT : PHOSPHOR BRONZE
 - SHELL : BRASS
- FINISH :
 - CONTACT : GOLD FLASH
UNDER PLATE : NICKEL
 - SHELL : NICKEL PLATED OVER ALL

DRAWN	Jen Xie	APP'D	Enly Suen	UNIT	mm	TOLERANCE		TITLE	MiniDin 6(F) (规格)	SHEET				
CHK'D	Enly Suen			SCALE	1:1	x ±0.20 xx ±0.10 xxx ±0.05 xxxx ±0.03 ANGULA ±1°		www.allconnectors.de TEL: 0049 711 2071603 70794 Pfliderstadt Germany	info@allconnectors.de TEL: 0049 711 2071604 Kottmannstr. 25	PART NO.		MD-06F1-11	DWG NO.	QC2289