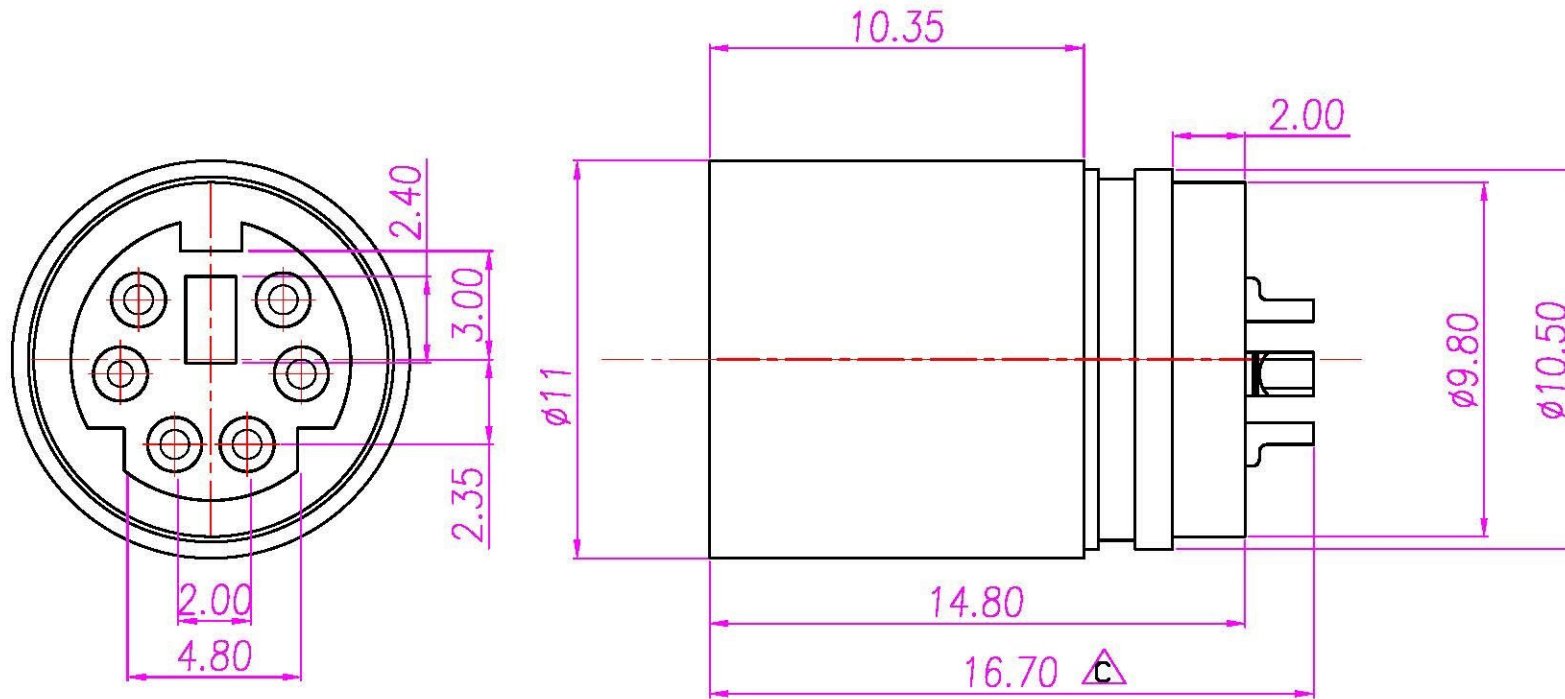


This document is the property of Nian-Yeong Corporation and is delivered on the express condition that it is not to be disclosed, reproduced or used, in whole or in part, for manufacture or sale by anyone other than Nian-Yeong Corporation without its prior consent, and that no right is granted to disclose or to use any information in this document.

CUSTOMER DRAWING

REV.	DESCRIPTION	APPVL. BY	DATE	ECN NO.
A	RELEASE	Fido Veng	22/12/08'	
B	端子改杯口	Fido Veng	16/05/13'	ECN13009
C	修改外觀總長	Fido Veng	21/06/13'	



NOTE:

1. MATERIAL :
 - 1-1. HOUSING : PBT UL94V-0 ; COLOR : BLACK
 - 1-2. CONTACT : PHOSPHOR BRONZE
 - 1-3. SHELL : BRASS
2. FINISH :
 - 2-1. CONTACT : GOLD FLASH
 - 2-2. SHELL : NICKEL PLATED.

DRAW	Ting	APPVL.	UNIT	mm	TOLERANCE		TITLE	MiniDin 6(F) 成型式		SHEET	
CHECK			SCALE	1:1	X ±0.20 XX ±0.10 XXX ±0.05 XXXX ±0.03 ANGULA ±1°		PART NO.	MD-06F1-10	DWG NO.	QC1974	

www.allconnectors.de
Tel: 0049 711 7009303
70794 Filzbergstr. Germany

info@allconnectors.de
Fax: 0049 711 7009301
Kollmannstr. 25