

This document is the property of Nan-Yeong Corporation and is delivered on the express condition that it is not to be disclosed, reproduced or used, in whole or in part, for manufacture or sale by anyone other than Nan-Yeong Corporation without its prior consent, and that no right is granted to disclose or to use any information in this document.

# CUSTOMER DRAWING

REV.	DESCRIPTION	APPVL. BY	DATE	ECN NO.
B	修改TABLE A	Emily Suen	24/03/11'	
C	修改外觀	Emily Suen	04/10/12'	ECN12027
D	端子改杯口	Fido Weng	18/04/13'	ECN13006
E	修改外觀繪圖	Fido Weng	21/06/13'	

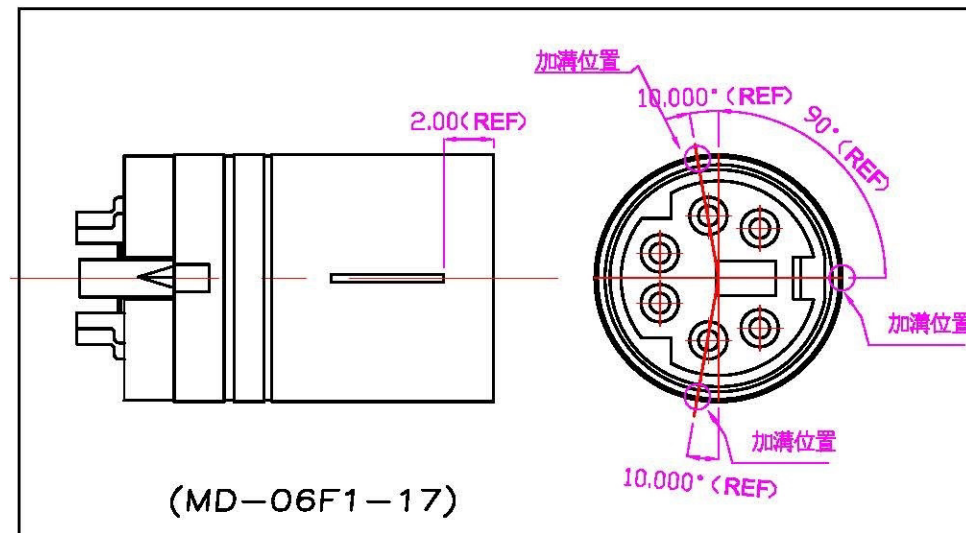
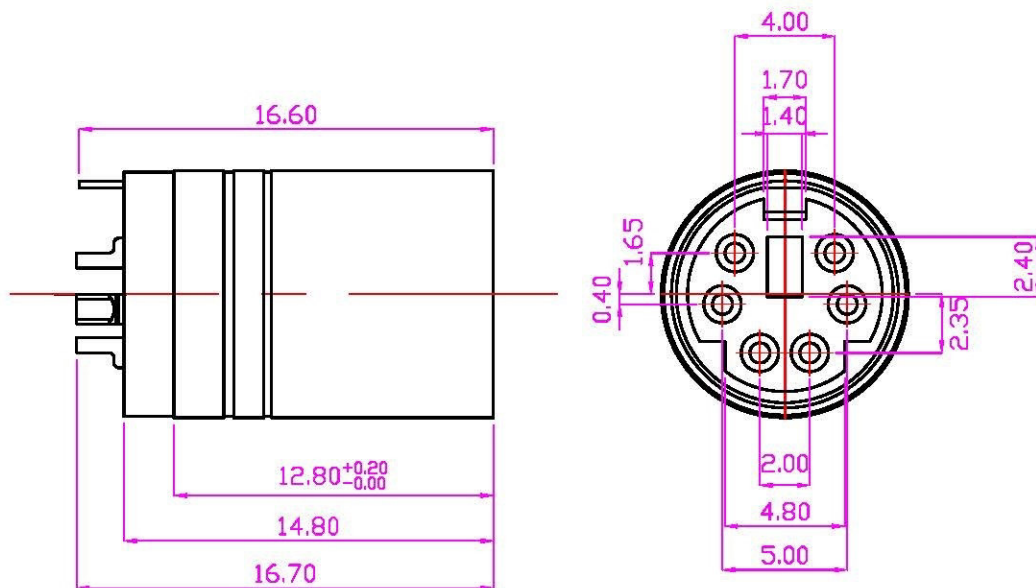


TABLE A

MD-06F1-17	SILVER 30 MICRO INCHES MIN	5.0kgf MIN
MD-06F1-07	GOLD 30 MICRO INCHES MIN	1.0kgf~4.0kgf MIN
MD-06F1-06	SILVER 30 MICRO INCHES MIN	1.0kgf~4.0kgf MIN
MD-06F1-04	GOLD FLASH	1.0kgf~4.0kgf MIN

- MATERIAL :
  - HOUSING : THERMOPLASTIC UL94V-0 ; COLOR : BLACK
  - CONTACT : PHOSPHOR BRONZE
  - SHELL : BRASS.
  - SPRING : PHOSPHOR BRONZE
- FINISH :
  - CONTACT :SEE TABEL A  
UNDER PLATE : NICKEL
  - SHELL : NICKEL PLATED.
  - SPRING :30 MICRO INCHES MIN. SILVER PLATED

DRAW	Ting	APPVL	UNIT	PP	TOLERANCE
CHECK	Emily Suen		SCALE	1:1	x ±0.20 .xx ±0.10 .xxx ±0.05 .xxxx ±0.03 ANGULA ±1°

**All Connectors**

www.allconnectors.de  
 TEL: 0049 711 7002501  
 70206 Ulm/Leinfelden - Germany

Info@allconnectors.de  
 Fax: 0049 711 7002504  
 Kettnerstr. 35

TITLE	MINI DIN 6PIN (F)			SHEET
PART NO.	TABLE A	DWG NO.	QC0010	 VERSION E