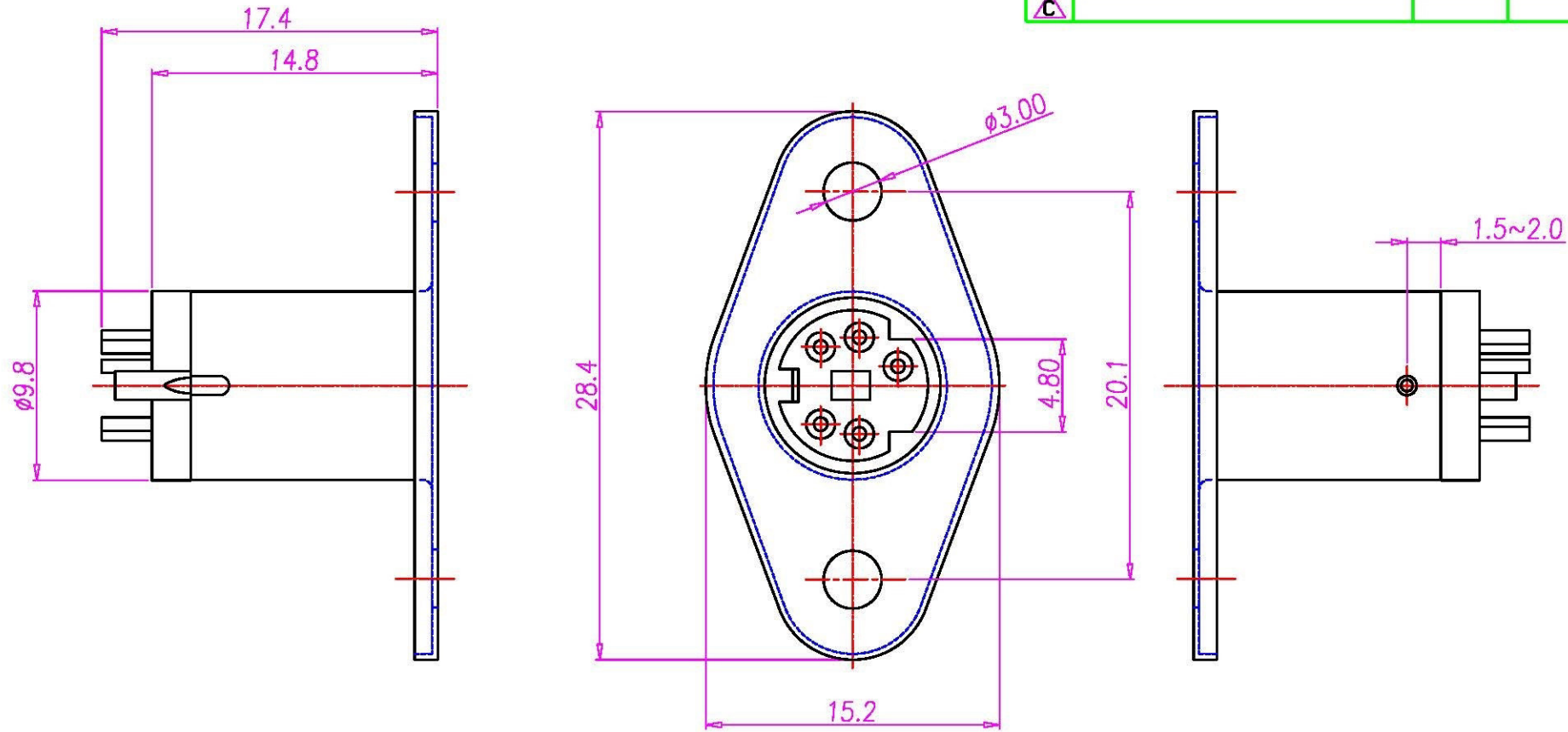


This document is the property of Nan-Yeong Corporation and is delivered on the express condition that it is not to be disclosed, reproduced or used, in whole or in part, for manufacture or sale by anyone other than Nan-Yeong Corporation without its prior consent, and that no right is granted to disclose or to use any information in this document.

CUSTOMER DRAWING

REV.	DESCRIPTION	APPROVED BY	DATE	ECN NO.
A	RELEASE	Fido Weng	31/08/10'	
B				
C				



1. MATERIAL :

1-1. HOUSING : PBT UL94V-0
 COLOR : BLACK

1-2. CONTACT : PHOSPHOR BRONZE
 1-3. SHELL : BRASS
 1-4. SPRING : PHOSPHOR BRONZE

2. FINISH :

2-1. CONTACT : SILVER
 UNDER PLATE : NICKEL
 2-2. SHELL : NICKEL
 2-3. SPRING : SILVER

DRAWN	Jen Xie	APP'D	Fido Weng	UNIT	mm	TOLERANCE			TITLE	MiniDin 5(F) 雙面插			
CHK'D	Emily Suen	SCALE	1:1	TOLERANCE	X ±0.20 XX ±0.10 XXX ±0.05 XXXX ±0.03 ANGULA ±1°	www.allconnectors.de info@allconnectors.de Tel: +49 911 400600 Fax: +49 911 400604 Allweg Hildersdorf - Germany			PART NO. MD-05F3-03	DWG NO. QC0415	SHEET 		