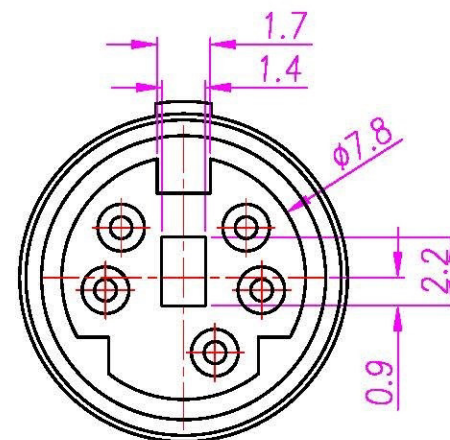
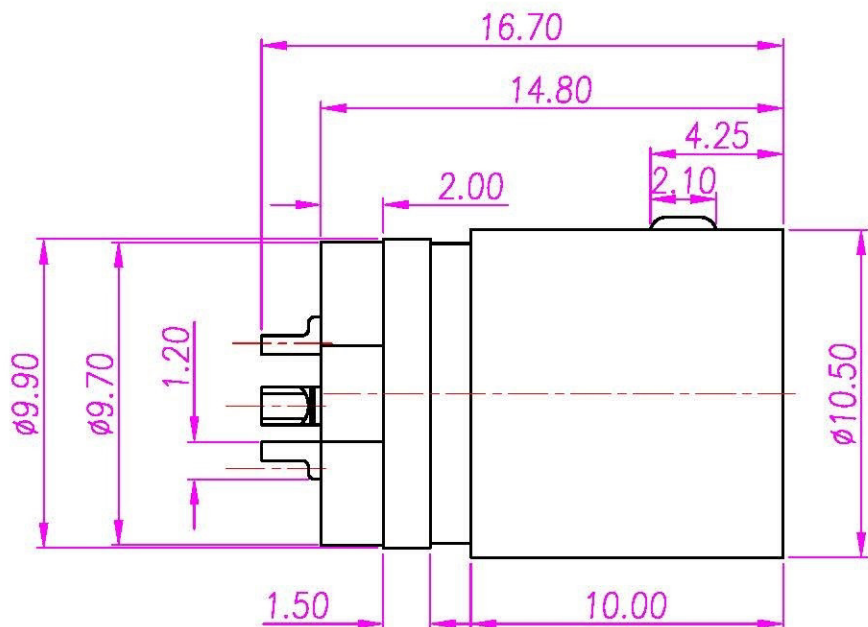


This document is the property of Nian-Yeong Corporation and is delivered on the express condition that it is not to be disclosed, reproduced or used, in whole or in part, for manufacture or sale by anyone other than Nian-Yeong Corporation without its prior consent, and that no right is granted to disclose or to use any information in this document.

CUSTOMER DRAWING

REV.	DESCRIPTION	APPROVED BY	DATE	ECN NO.
A	RELEASE	Fido Veng	22/12/08*	ECN10134
B	端子改杯口	Fido Veng	20/05/13*	ECN13009
C	修改外觀總長	Fido Veng	21/06/13*	



1. MATERIAL :
 - 1-1. HOUSING : PBT UL94V-0
COLOR : BLACK
 - 1-2. CONTACT : PHOSPHOR BRONZE
 - 1-3. SHELL : BRASS
2. FINISH :
 - 2-1. CONTACT : SEE TABLE A
UNDER PLATE : NICKEL
 - 2-2. SHELL : NICKEL PLATED OVER ALL

TABLE A

MD-05F1-02	GOLD FLASH
MD-05F1-01	SLIVER
P/N	CONTACT PLATING

DRAWN	Jen Xie	APP'D	Fido Veng	UNIT	mm	TOLERANCE		TITLE	MD 5S(♁) 0.7# 總線系列		SHEET	
CHK'D	Enly Suen			SCALE	1:1	x ±0.20 JOK ±0.10 JXOX ±0.05 JXOX ±0.03 ANGULA ±1°		PART NO.	SEE TABLE A	DWG NO.	QC0152	

All Connectors
 www.allconnectors.de
 Tel: 0049 711 309500
 70704 Filderstadt - Germany
 info@allconnectors.de
 Fax: 0049 711 309501
 Kettelerstr. 35