

This document is the property of Nan-Yeong Corporation and is delivered on the express condition that it is not to be disclosed, reproduced or used, in whole or in part, for manufacture or sale by anyone other than Nan-Yeong Corporation without its prior consent, and that no right is granted to disclose or to use any information in this document.

CUSTOMER DRAWING

REV.	DESCRIPTION	APPROVED BY	DATE	ECN NO.
A	RELEASE & CHANGE SHELL	Fido Veng	22/06/09	
B				
C				

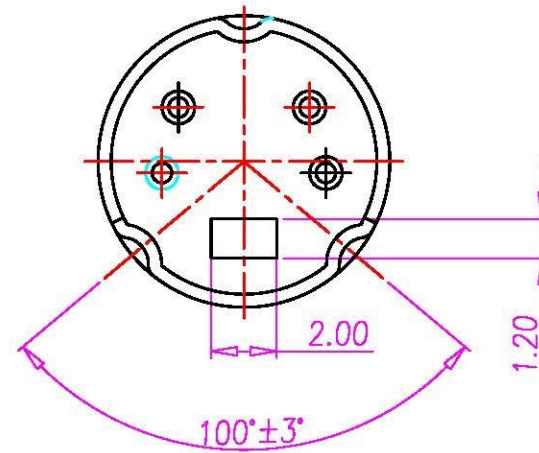
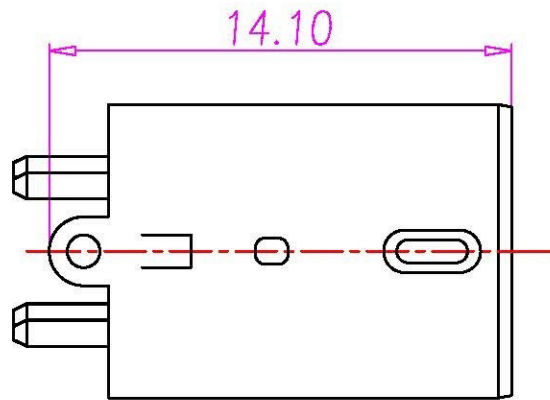
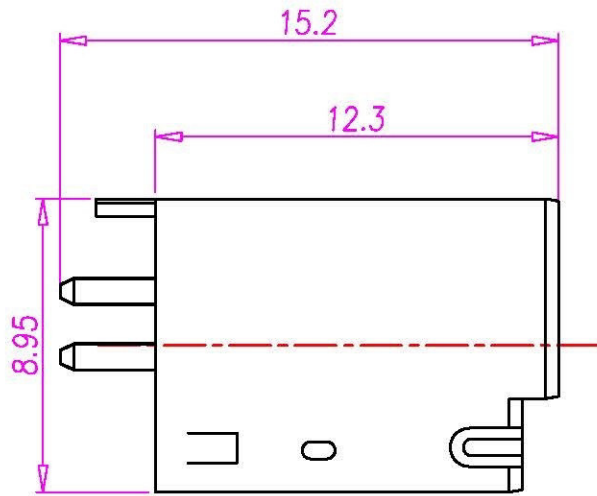


TABLE A

MD-04M1-08	MiniDin 4(M)成型式	表金 / GOLD FLASH
MD-04M1-02	MiniDin 4(M)成型式	銀 / SILVER
P/N	DESCRIPTION	PLATING

NOTE:

- MATERIAL :**
 - HOUSING : PBT UL94V-0 ; COLOR : BLACK
 - CONTACT : BRASS
 - SHELL: BRASS
- FINISH :**
 - CONTACT :SEE TABLE A
 - SHELL : NICKEL PLATED OVER ALL
- ELECTRICAL SPECIFICATION :**
 - RATING: 100V AC MAX or 12V DC 2A MAX
 - INSULATION RESISTANCE: 50M MIN at 250V DC
 - WITHSTANDING: 250V AC at 1 MINUTE
- ENVIRONMENTAL:**
 - OPERATION TEMPERATURE : -40℃~85℃

DRAWN	Emly Suen	APP'D	UNIT	mm	TOLERANCE	ANGULAR	SCALE	1:1	www.allconnectors.de	info@allconnectors.de	TITLE	MiniDin 4(M)成型式	SHEET		
CHK'D			SCALE	1:1	x ±0.20 xx ±0.10 xxx ±0.05 xxxx ±0.03 ANGULA ±1°				Tel: 0049 711 7003503 70734 Filzschmitt Germany	Fax: 0049 711 7003504 Kette 66 str. 25	PART NO.	SEE TABLE A	DWG NO.	QC0352	VERSION A