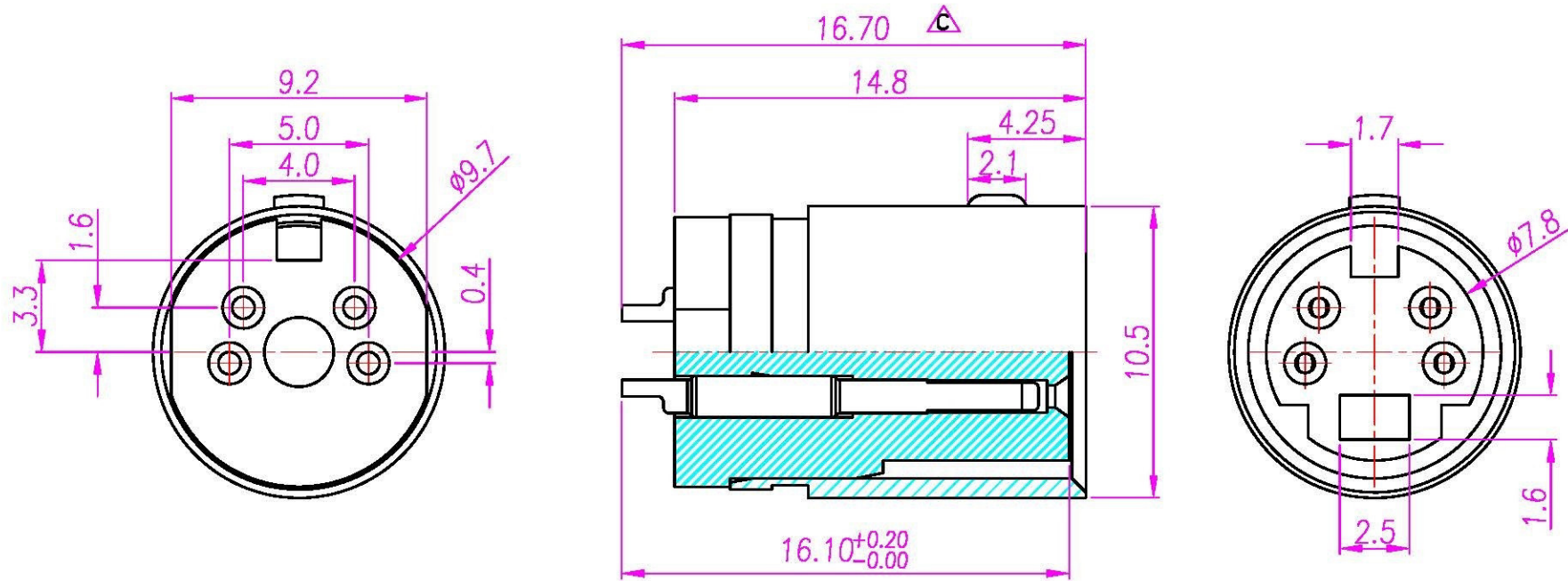


This document is the property of Nan-Yeong Corporation and is delivered on the express condition that it is not to be disclosed, reproduced or used, in whole or in part, for manufacture or sale by anyone other than Nan-Yeong Corporation without its prior consent, and that no right is granted to disclose or to use any information in this document.

CUSTOMER DRAWING

REV.	DESCRIPTION	APPROVED BY	DATE	ECN NO.
A	RELEASE	Flo Veng	22/12/08*	ECN10134
B	改變端子焊杯 & 膠殼開槽	Flo Veng	29/12/12*	
C	修改外觀繪長	Flo Veng	21/06/13*	



1. MATERIAL :
 - 1-1. HOUSING : PBT UL94V-0
COLOR : BLACK
 - 1-2. CONTACT : PHOSPHOR BRONZE
 - 1-3. SHELL : BRASS
2. FINISH :
 - 2-1. CONTACT : SEE TABLE A
UNDER PLATE : NICKEL
 - 2-2. SHELL : NICKEL PLATED OVER ALL

TABLE A

MD-04F1-09	GOLD FLASH
MD-04F1-03	SILVER
P/N	CONTACT PLATING

DRAWN	Jen Xie	APP'D	Flo Veng	UNIT	mm	TOLERANCE	All connectors		TITLE	MiniDin 4(F) 50.7# 鍍銀殼			SHEET
CHK'D	Emily Suen			SCALE	1:1	X ±0.20 XX ±0.10 XXX ±0.05 XXXX ±0.03 ANGULA ±1°		www.allconnectors.de info@allconnectors.de 41234Erlangen Germany	PART NO.	SEE TABLE A	DWG NO.	QC0151	 VERSION B