

This document is the property of Nan-Yeong Corporation and is delivered on the express condition that it is not to be disclosed, reproduced or used, in whole or in part, for manufacture or sale by anyone other than Nan-Yeong Corporation without its prior consent, and that no right is granted to disclose or to use any information in this document.

### CUSTOMER DRAWING

REV.	DESCRIPTION	APPROVED BY	DATE	ECN NO.
A	RELEASE	Fido Veng	22/12/08*	
B	CHANGE CONTACT TYPE	Enly Suen	17/09/12*	ECN12025.
C	修改規格	Enly Suen	04/10/12*	ECN12027
D	修改規格	Fido Veng	21/06/13*	

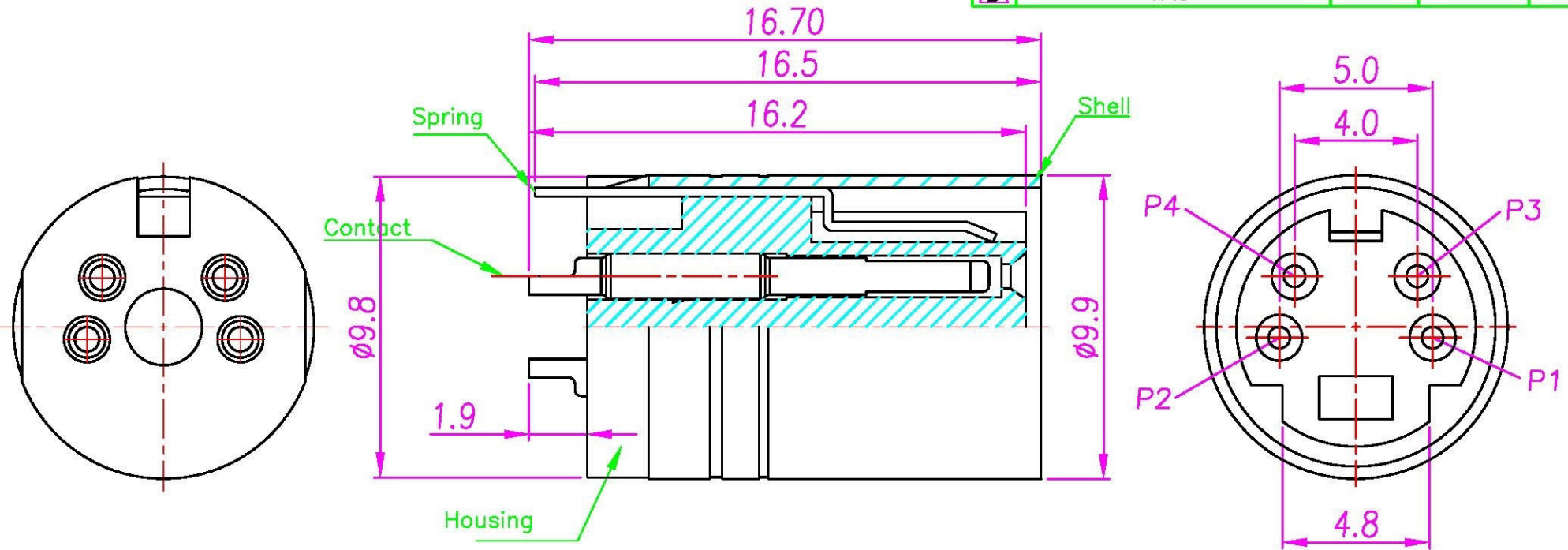


TABLE A

MD-04F1-13	GOLD FLASH	NO	NICKEL
MD-04F1-12	GOLD FLASH	NO	GOLD FLASH
MD-04F1-08	SILVER	NO	NICKEL
MD-04F1-07	GOLD FLASH	YES	NICKEL
MD-04F1-04	SILVER	YES	NICKEL
PART NO.	CONTACT PLATED	WITH SPRING	SHELL

- MATERIAL :
  - HOUSING : PBT UL94V-0  
COLOR : BLACK
  - CONTACT : PHOSPHOR BRONZE
  - SHELL : BRASS
  - SPRING : PHOSPHOR BRONZE
- FINISH :
  - CONTACT : SEE TABLE A  
UNDER PLATE : NICKEL
  - SHELL : NICKEL
  - SPRING : SILVER

DRAWN	Ku Chou	APP'D	Enly Suen	UNIT	mm	TOLERANCE		TITLE	MINI DIN 4PIN (F)		SHEET	
CHK'D	Enly Suen	SCALE	1:1	xx	±0.20	www.allconnectors.de		PART NO.	SEE TABLE A	DWG NO.	QC0008	
					xxx	±0.10	TEL: 0049 711 7009503					
					xxxx	±0.05	20240 File Contact - Germany					
					xxxxx	±0.03	info@allconnectors.de					
					ANGULA	±1°	Fax: 0049 711 7009504					
							KIT@CONNECTOR.COM					