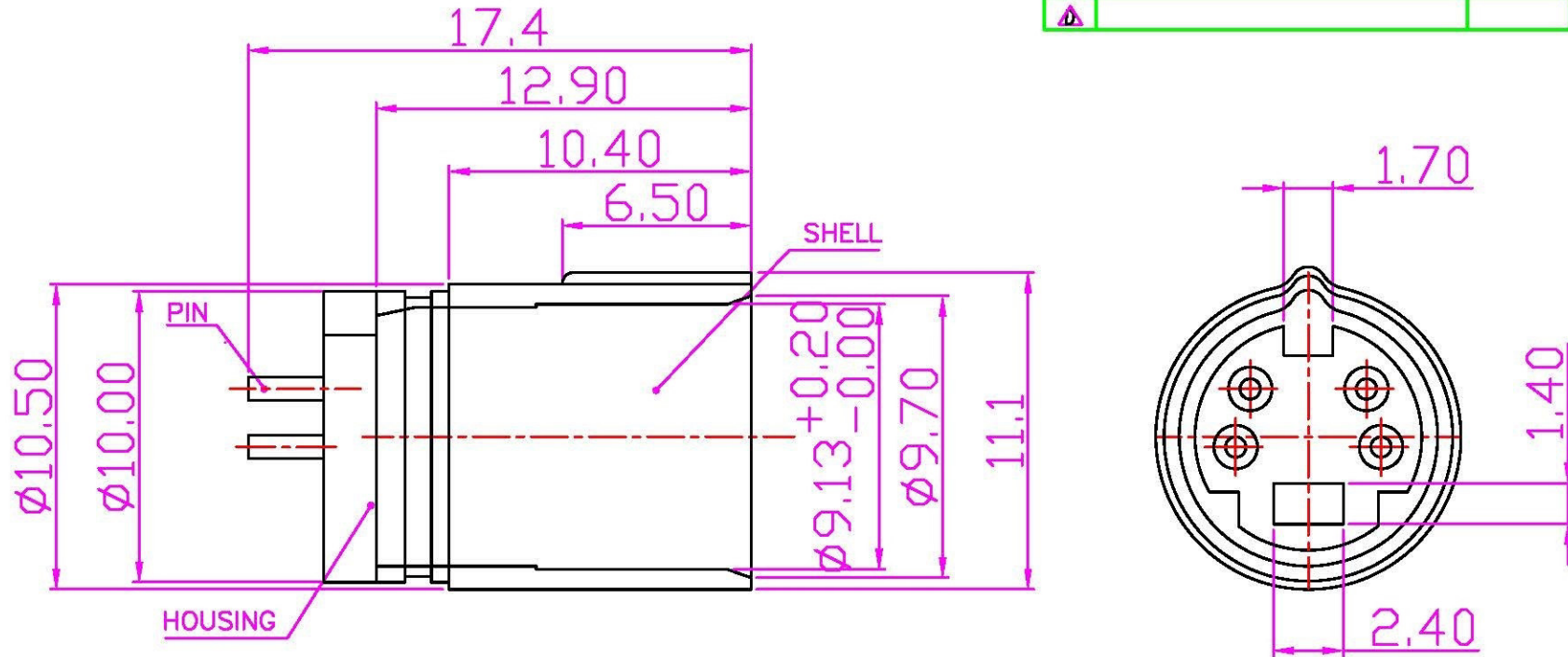


This document is the property of Nian-Yeong Corporation and is delivered on the express condition that it is not to be disclosed, reproduced or used, in whole or in part, for manufacture or sale by anyone other than Nian-Yeong Corporation without its prior consent, and that no right is granted to disclose or to use any information in this document.

CUSTOMER DRAWING

REV.	DESCRIPTION	APPROVED BY	DATE	ECN NO.
A	RELEASE	Fido Weng	06/25/10'	
B				
C				
D				



NOTE:

1. SAFETY:
 - 1-1. RATING: 100V AC MAX or 12V DC 2A MAX
 - 1-2. INSULATION RESISTANCE: 50MΩ MIN at 250V DC
 - 1-3. WITHSTANDING: 250V AC at 1 MINUTE
2. MATERIAL:
 - 2-1. HOUSING: PBT UL94V-0 ; COLOR : BLACK
 - 2-2. PIN: BRASS
 - 2-3. SHELL: BRASS
3. PLATING:
 - 3-1. PIN: SILVER 30u"
 - 3-2. SHELL: NICKEL 30u"

DRAWN	Ren	APP'D	Fido Weng	UNIT	mm	TOLERANCE																	TITLE	MD 4S Ø10.5*12.9 銅管 銅殼			SHEET												
CHK'D	Emily Suen			SCALE	1:1	.x ±0.20 .10x ±0.10 .100x ±0.05 .1000x ±0.03 ANGULAR ±1°																	All connectors www.allconnectors.de Tel: 0049 711 2003903 20754 Filderstadt Germany info@allconnectors.de Fax: 0049 711 2003904 Kollmannstr. 25										PART NO.	MD-04F1-01	DWG NO.	QC0554	VERSION	A	