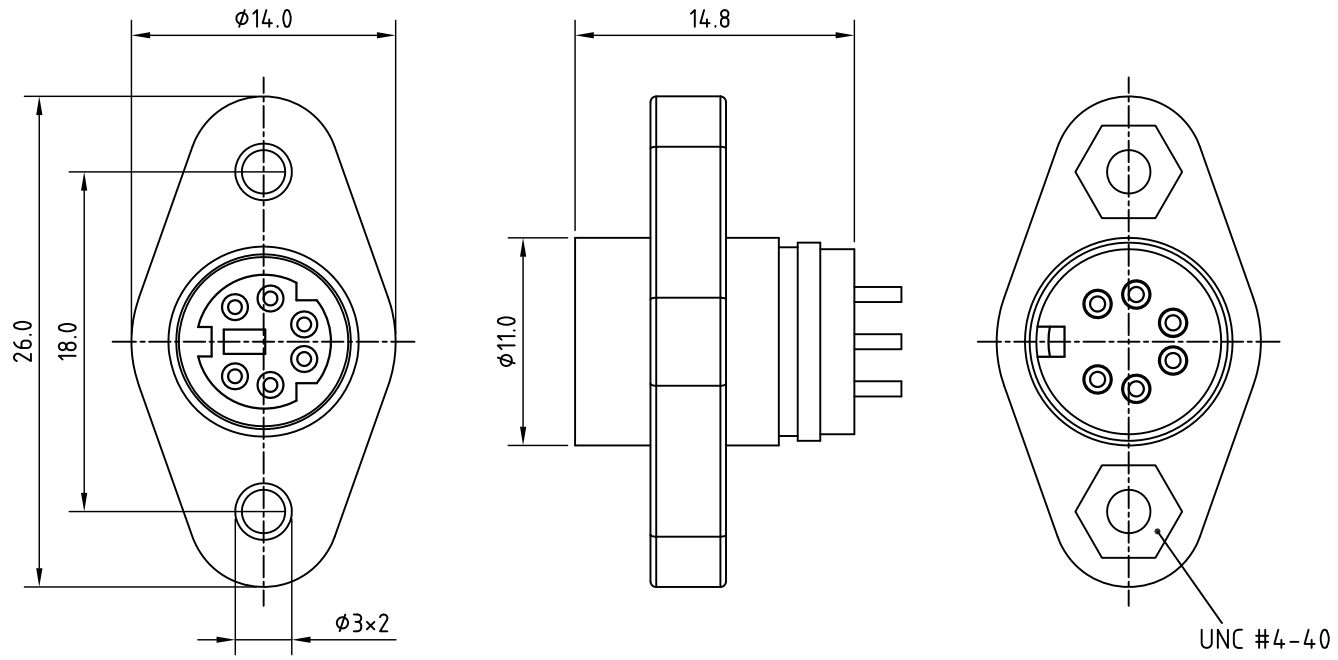


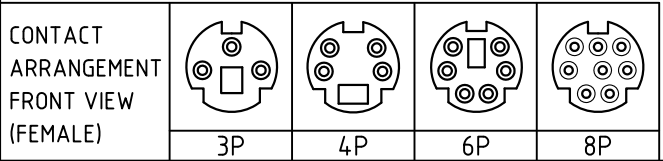
REV.	Description	Date
1	upgrade drawing	2011/10/25



Specification:
 Rated current: 5A
 Voltage: 125V
 Operation temperature: -20°C to 85°C

RoHS
 LEAD FREE
 TOLERANCE .X±0.25 .XX±0.10

5	Nut	SUS #4-40	
4	Body	PP	
3	Shell	Brass	Nickel plated
2	Pin	Phosphor bronze	Gold plated
1	Housing	PBT	
Item	Description	Material	Treat & Remark



All Connectors

www.allconnectors.eu | info@allconnectors.eu
 Tel. +49 (0)711 / 358 110 20 | Fax +49 (0)711 / 358 110 25

DATE	10/24/2011	PART NO.	LS911P-XP
DWN	GINA	REV.	1
CHK			
UNIT	MM		

ITEM Miniature Circular Connector Push Lock Type