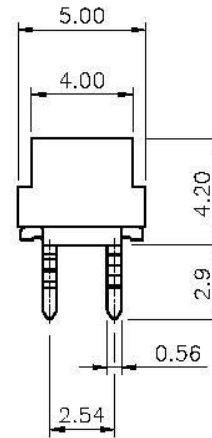
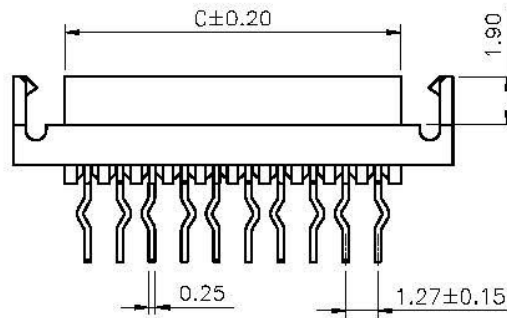
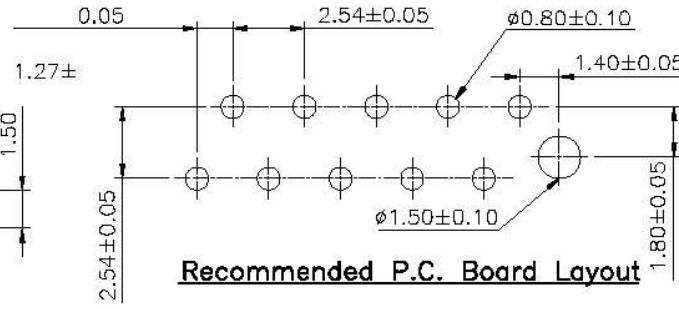
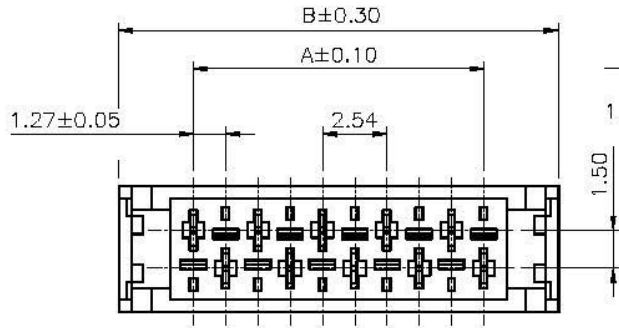


RoHS Compliant Customer Drawing

SPECIFICATIONS:

1. Voltage rating: 500V AC/DC
2. Current rating: 1.0A AC/DC
3. Withstanding voltage: 1000V AC/minute
4. Temperature range: -40° C ~ +105° C
5. Insulation resistance: $\geq 1000M\Omega$
6. Contact resistance: $\leq 20m\Omega$
7. After environment testing: $\leq 30m\Omega$
8. Number of position: 04~26
9. Material: Plastic: PA9T UL 94 V-0
Color: Red
Pin: Phosphor Bronze
Finish: Tin-plated



How to order

MMCFO1-X
1 2

1. Series No
2. No Of Pins
04~26

No of Pins	Dimension(mm)		
	A	B	C
4	3.81	9.68	5.6
6	6.35	12.22	8.14
8	8.89	14.76	10.68
10	11.43	17.3	13.22
12	13.97	19.84	15.76
14	16.51	22.38	18.3
16	19.05	24.92	20.84
18	21.59	27.46	23.38
20	24.13	30	25.92
22	26.67	32.54	28.46
24	29.21	35.08	31
26	31.75	37.62	33.54

1.3			
1.2			
1.1			
1.0	RELEASED	Li GM	2011-05-14
REV	ECN. NO.	DR. BY	DATE

All Connectors
www.allconnectors.de
Tel: 0049 721 7089903 Fax: 0049 721 7089904
70724 Filderstadt - Germany Kellererstr. 25

X: ±0.30	X': ±5.0°
X.X: ±0.20	X.X': ±3.0°
X.XX: ±0.15	X.XX': ±1.0°
UNIT: mm	
SCALE: 1:1	SHEET: 1/1

TITLE :
Micro-Match connector, Female-on-board
connector, Top Entry, Through Hole, with Latches

APPD: Xiao Jian PART NO :MMCFO1-XX
CHD: Wang Zhijun DWG. NO: MMCFO1-XX
DR: Li Guoming REV:1.0 DATE: 2011-05-14

A4