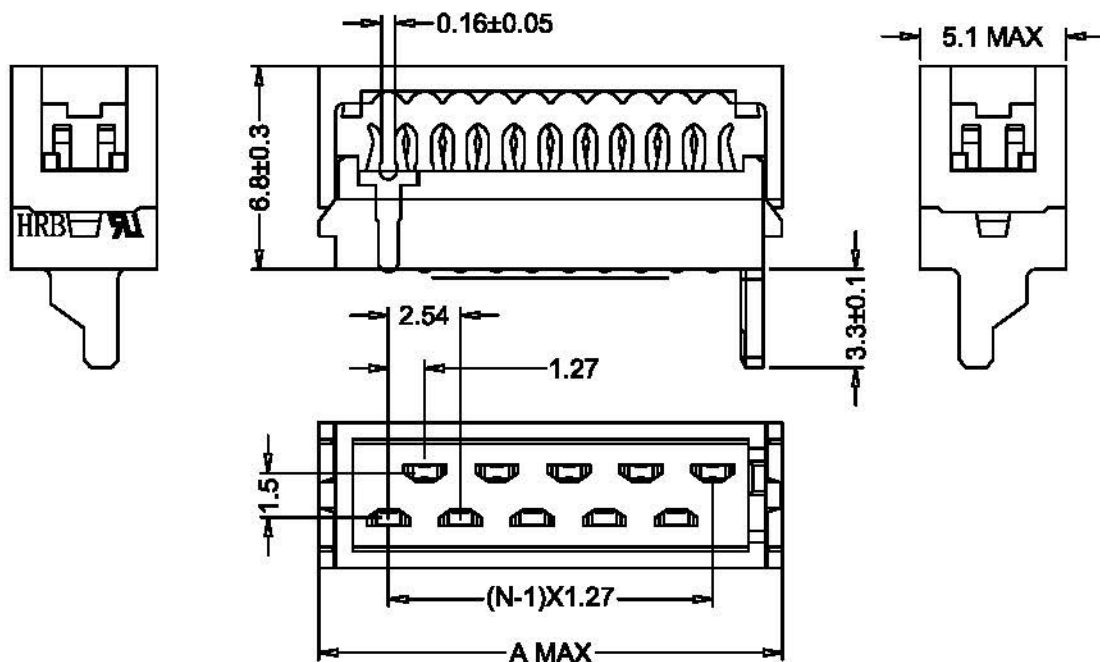
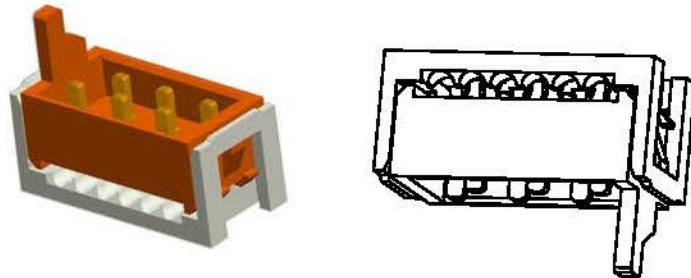


1.27mm(.050") Wire To Board Connector



SPECIFICATIONS:

- Current Rating:1A AC,DC
- Voltage Rating:100V AC,DC
- Operating Temperature:-40℃~+105℃
- Contact Resistance:10mΩ max.
- Insulation Resistance:1000MΩ Min.
- Withstanding Voltage:500V AC/minute
- Wire Size:AWG#28
- MALE-ON-WIRE CONNECTOR
- MATERIAL
- Housing: PA48(red) UL94V-0
- Male Contact:Phosphor bronze
- Finish:Tin Over nickel plated



Ordering Information And Dimensions

Part NO.		Dimensions	Part NO.		Dimensions
TYP UL94V-0	Circuits	Dim:A MAX	TYP UL94V-0	Circuits	Dim:A MAX
M2548-2x2(M)	4	8.60	M2548-2x8(M)	16	23.80
M2548-2x3(M)	6	11.10	M2548-2x9(M)	18	26.30
M2548-2x4(M)	8	13.60	M2548-2x10(M)	20	28.90
M2548-2x5(M)	10	16.20	M2548-2x11(M)	22	31.40
M2548-2x6(M)	12	18.70	M2548-2x12(M)	24	34.00
M2548-2x7(M)	14	21.30			



www.allconnectors.de
Tel.: 0049 711 7005503
70794 Filderstadt - Germany

info@allconnectors.de
Fax: 0049 711 7009504
Kettenerstr. 25