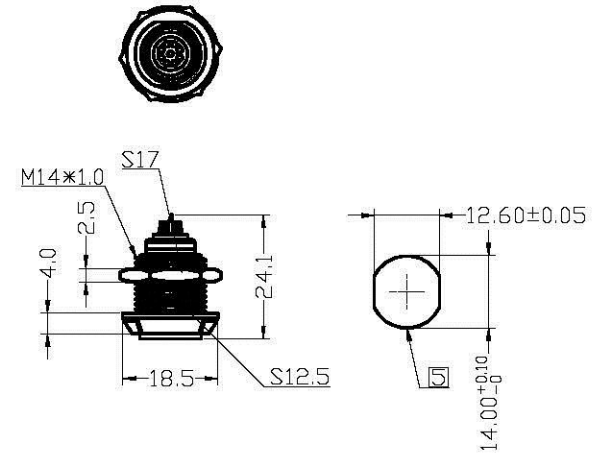


SNAP LATCH ASSEMBLY P/N DESCRIPTION :

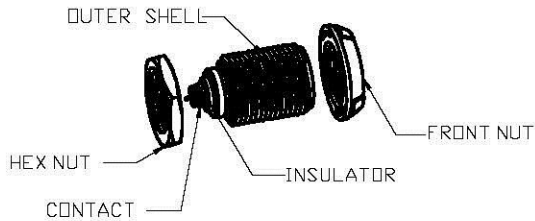
		R - M B1 - X - X P X 2 - 0 X X X - X	
1	ROHS		
2	MEDICAL		
3	STYLE	B1=PKK(Receptacle with two nuts) (back panel mounting) -----SOLDER TERMINATION	
4	OUTER SHELL MATERIAL	G=GREY PSU B=BLACK PSU <b>M=WHITE PSU</b> F=BLACK PEI P=GREY PEI	
5	FRONT NUT MATERIAL	0=BLACK 1=WHITE 2=RED 4=YELLOW 5=GREEN 6=BLUE 8=GREY	
6	INSULATOR	P=PEEK	
7	CONTACT DIAMETER	1=1.3mm (ONLY FOR 2 PIN) 2=0.9mm (ONLY FOR 4,5 PIN) 3=0.7mm (ONLY FOR 6,7,8 PIN) 4=0.5mm (ONLY FOR 9,10,14 PIN)	
8	CONTACT PLATING	2=FOR MEDICAL	
9	CABLE COLLET	0=NO CABLE COLLET	
10	CODING	0= 0° A= 40° C= 60° E= 80° H= 170° J= 205°	
11	NUMBER OF CONTACTS	02=2 PIN 03=3 PIN 04=4 PIN 05=5 PIN 06=6 PIN 07=7 PIN 08=8 PIN 09=9 PIN 10=10 PIN 14=14 PIN	
12	LOGO	0="nextron" LOGO G=NO LOGO	

POSITIONS	VIEW FROM TERMINATION SIDE
2 PIN	
3 PIN	
4 PIN	
5 PIN	
6 PIN	
7 PIN	
8 PIN	
9 PIN	
10 PIN	
14 PIN	



NOTES :

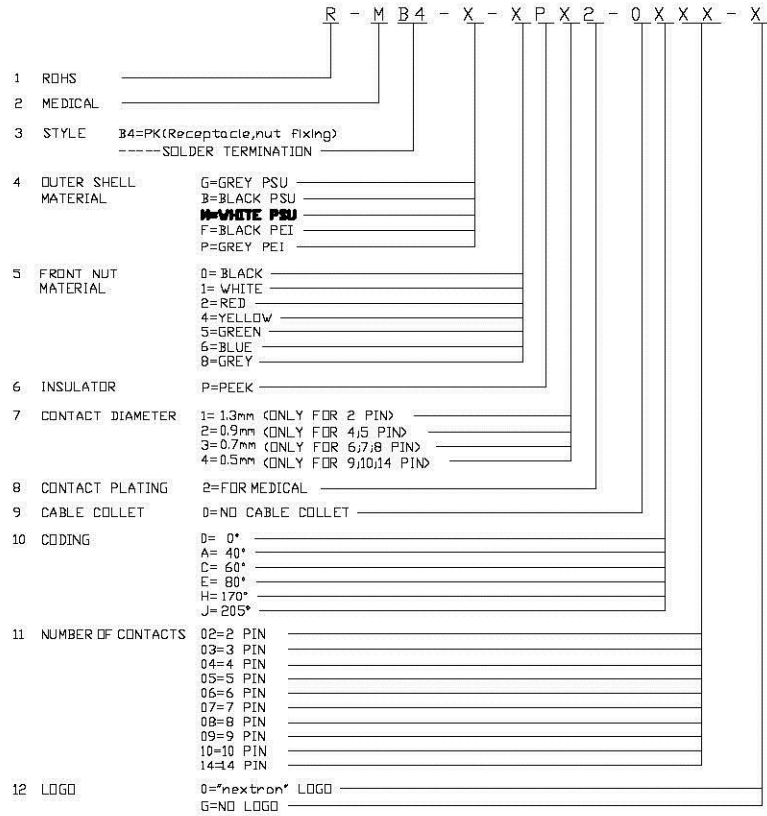
- 1.MATERIAL  
OUTER SHELL : PSU/PEI  
INSULATOR : PEEK  
CONTACT : COPPER ALLOY  
HEX NUT : COPPER ALLOY  
FRONT NUT : PSU/PEI
- 2.NUMBER OF CONTACT : 2 TO 14 POSITION
- 3.ALL DIMENSIONS ARE IN MILLIMETERS.
- 4.ROHS DIRECTIVE COMPLIANCE
- 5.PANEL HOLE



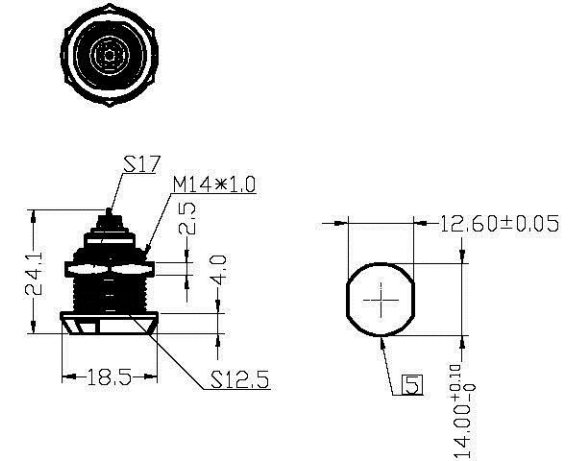
REV.	DESCRIPTION	DATE	APPD
A2	ADD NEW P/N	07/17/14	Seawen
A1	ADD NEW P/N	03/23/13	Seawen
A	NEW RELEASE	07/14/09	Seawen

UNITS <input checked="" type="checkbox"/> mm <input type="checkbox"/> INCH		NAME: SNAP LATCH Receptacle with tow nut		All connectors	
GENERAL TOLERANCES: (UNLESS SPECIFIED)		PART NO: RMB1XXPX20XXXX		TITLE: CUSTOMER DWG.	
		APPD: 楊海文 07/17/14		DWG NO: 010-0000-459	
		CHKD: 羅旋 07/17/14		SCALE: SHEET: REV.:	
		DRAWN: 段小峰 07/17/14		1/1 1/4 A2	
ANGULAR: X°±** X°±**					

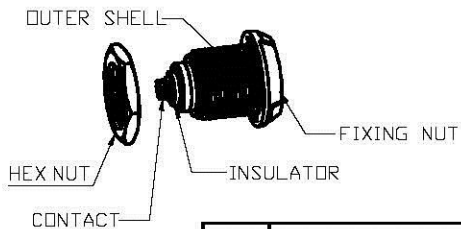
SNAP LATCH ASSEMBLY P/N DESCRIPTION :



POSITIONS	VIEW FROM TERMINATION SIDE
2 PIN	
3 PIN	
4 PIN	
5 PIN	
6 PIN	
7 PIN	
8 PIN	
9 PIN	
10 PIN	
14 PIN	



- NOTES :
- 1.MATERIAL  
OUTER SHELL : PSU/PEI  
INSULATOR : PEEK  
CONTACT : COPPER ALLOY  
HEX NUT : COPPER ALLOY  
FIXING NUT : PSU/PEI
  - 2.NUMBER OF CONTACT : 2 TO 14 POSITION
  - 3.ALL DIMENSIONS ARE IN MILLIMETERS.
  - 4.RDHS DIRECTIVE COMPLIANCE
  - 5.PANEL HOLE



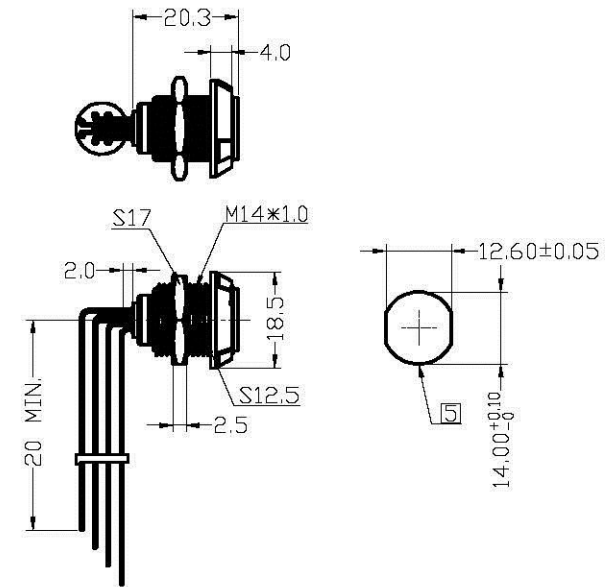
REV.	DESCRIPTION	DATE	APPD
A2	ADD NEW P/N	07/09/14	Seawen
A1	ADD NEW P/N	03/23/13	Seawen
A	NEW RELEASE	07/14/09	Seawen

UNITS		NAME:		All connectors	
<input checked="" type="checkbox"/> mm	<input type="checkbox"/> INCH	SNAP LATCH		Receptacle,nut fixing	
GENERAL TOLERANCES: (UNLESS SPECIFIED)				PART NO:	
	mm	INCH	RMB4XXPX20XXXX		
4 PLACE	± .**	± .**	APPD: 楊海文 07/17/14		TITLE:
3 PLACE	± .**	± .**	CHKD: 羅旋 07/17/14		CUSTOMER DWG.
2 PLACE	± 0.20	± .**	DRAWN: 段小峰 07/09/14		DWG NO:
1 PLACE	± 0.50	± .**			010-0000-459
ANGULAR:	X° ± **	X° ± **			SCALE: SHEET: REV.:
					1/1 2/4 A2

SNAP LATCH ASSEMBLY P/N DESCRIPTION :

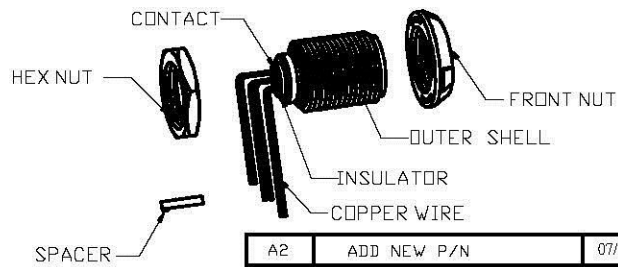
1	ROHS	R - M B3 - X - X P X 2 - 0 X X X - X
2	MEDICAL	
3	STYLE	B3=PK(Receptacle with two nuts,with 90° contacts for printed circuit) (back panel mounting) -----SOLDER TERMINATION
4	OUTER SHELL MATERIAL	G=GREY PSU B=BLACK PSU <b>M=WHITE PSU</b> F=BLACK PEI P=GREY PEI
5	FRONT NUT MATERIAL	0=BLACK 1=WHITE 2=RED 4=YELLOW 5=GREEN 6=BLUE 8=GREY
6	INSULATOR	P=PEEK
7	CONTACT DIAMETER	1= 1.3mm (ONLY FOR 2 PIN) 2= 0.9mm (ONLY FOR 4,5 PIN) 3= 0.7mm (ONLY FOR 6,7,8 PIN) 4= 0.5mm (ONLY FOR 9,10,14 PIN)
8	CONTACT PLATING	2=FOR MEDICAL
9	CABLE COLLET	0=NO CABLE COLLET
10	CODING	D= 0° A= 40° C= 60° E= 80° H= 170° J= 205°
11	NUMBER OF CONTACTS	D2=2 PIN D3=3 PIN D4=4 PIN D5=5 PIN D6=6 PIN D7=7 PIN D8=8 PIN D9=9 PIN D10=10 PIN D14=14 PIN
12	LOGO	D="nextron" LOGO G=NO LOGO

POSITIONS	VIEW FROM TERMINATION SIDE	SOCKET PART
2 PIN		
3 PIN		
4 PIN		
5 PIN		
6 PIN		
7 PIN		
8 PIN		
9 PIN		
10 PIN		
14 PIN		



NOTES :

- 1.MATERIAL  
OUTER SHELL : PSU/PEI  
INSULATOR : PEEK  
CONTACT : COPPER ALLOY  
FRONT NUT : PSU/PEI  
HEX NUT : COPPER ALLOY  
COPPER WIRE : COPPER ALLOY  
SPACER : LCP
- 2.NUMBER OF CONTACT : 2 TO 14 POSITION
- 3.ALL DIMENSIONS ARE IN MILLIMETERS.
- 4.ROHS DIRECTIVE COMPLIANCE
- PANEL HOLE

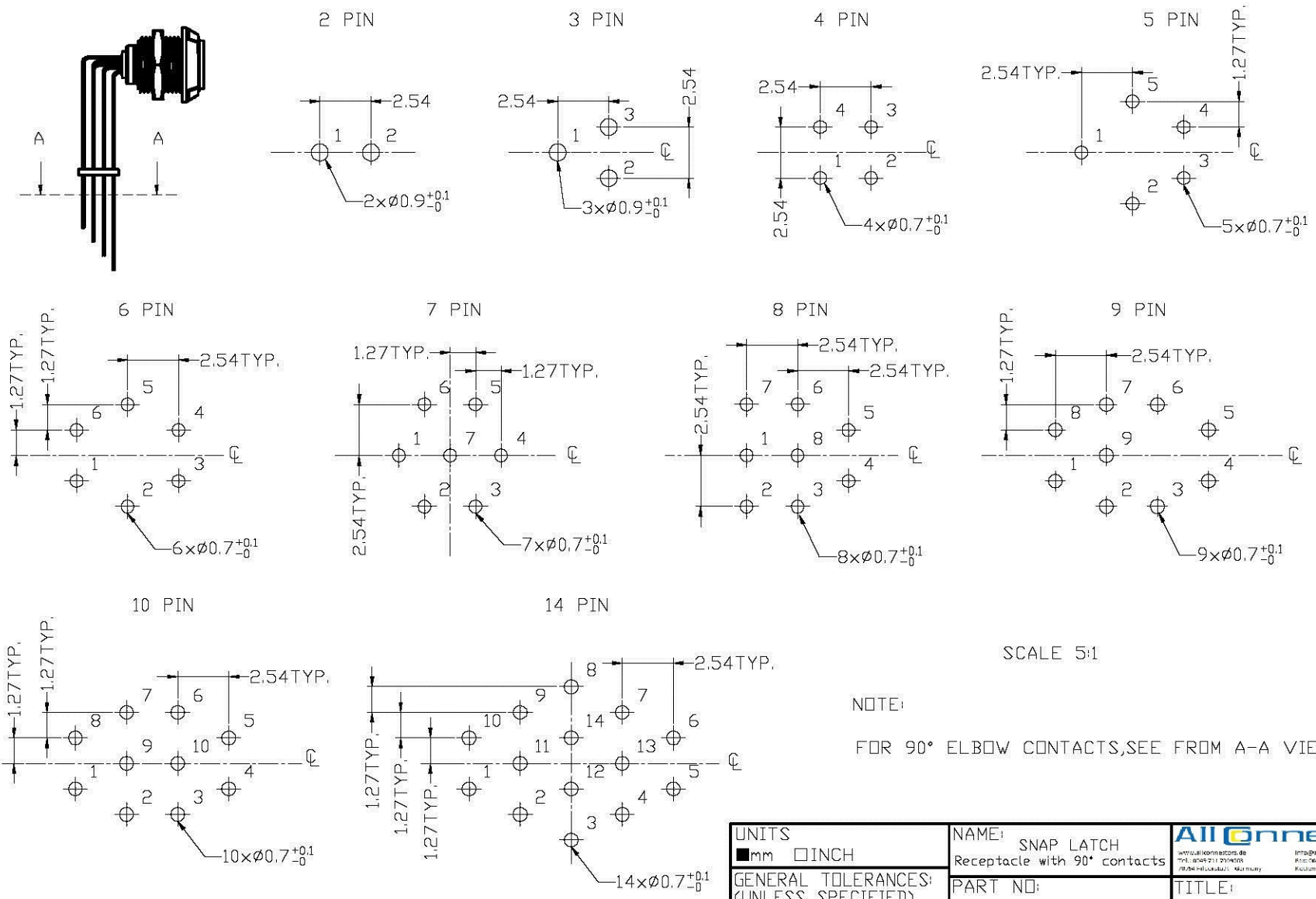
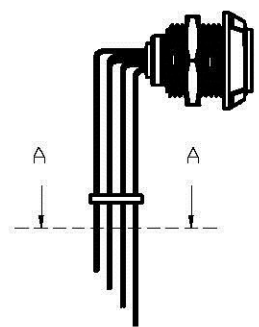


REV.	DESCRIPTION	DATE	APPD
A2	ADD NEW P/N	07/17/14	Seawen
A1	ADD NEW P/N	03/23/13	Seawen
A	NEW RELEASE	07/14/09	Seawen

UNITS		
<input checked="" type="checkbox"/> mm	<input type="checkbox"/> INCH	
GENERAL TOLERANCES: (UNLESS SPECIFIED)		
	mm	INCH
4 PLACE	± **.05	± **.002
2 PLACE	± 0.20	± **.008
1 PLACE	± 0.50	± **.020
ANGULAR:	X° ± **.5	X° ± **.02

NAME:	SNAP LATCH Receptacle with 90° contacts
PART NO:	RMB3XXPX20XXXX
APPD:	楊海文 07/17/14
CHKD:	羅旋 07/17/14
DRAWN:	段小峰 07/17/14

 <small>www.allconnectors.com Tel: 0547-711709205 www.allconnectors.com</small>	
TITLE: CUSTOMER DWG.	
DWG NO:	010-0000-459
SCALE:	1/1
SHEET:	3/4
REV.:	A2



SCALE 5:1

NOTE:  
FOR 90° ELBOW CONTACTS, SEE FROM A-A VIEW.

UNITS mm INCH		NAME: SNAP LATCH Receptacle with 90° contacts		All Connectors www.allconnectors.de Tel: +49 711 300085 E-Mail: info@allconnectors.de RMB3XXPX20XXXX	
GENERAL TOLERANCES: (UNLESS SPECIFIED)		PART NO: RMB3XXPX20XXXX		TITLE: CUSTOMER DWG.	
		APPD: 楊海文 07/17/14		DWG NO: 010-0000-459	
		CHKD: 羅旋 07/17/14		SCALE: SHEET: REV: 1/1 4/4 A2	
		DRAWN: 段小峰 07/17/14			

REV.	DESCRIPTION	DATE	APPD
A2	ADD NEW P/N	07/17/14	Seawen
A1	ADD NEW P/N	03/23/13	Seawen
A	NEW RELEASE	07/14/09	Seawen