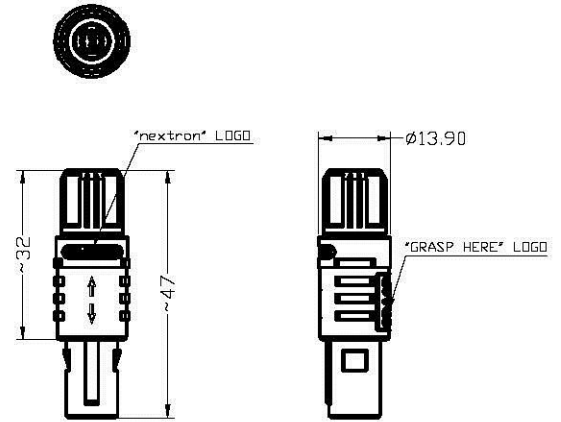


SNAP LATCH ASSEMBLY P/N DESCRIPTION:

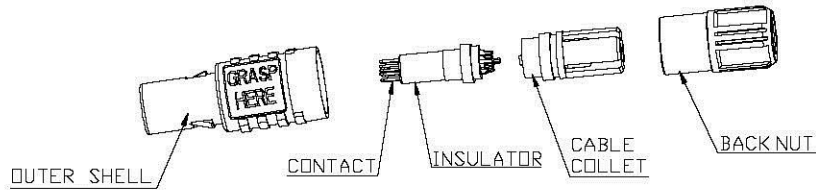
1	BONED	R
2	MEDICAL	M
3	STYLE	A1=PAK(Straight Plug with cable collet) ---SOLDER TERMINATION
4	OUTER SHELL MATERIAL	G=GREY PSU B=BLACK PSU M=WHITE PSU F=BLACK PEI P=GREY PEI
5	BACK NUT MATERIAL	0=BLACK 1=WHITE 2=RED 4=YELLOW 5=GREEN 6=BLUE 8=GREY P=PEEK
6	INSULATOR	
7	CONTACT DIAMETER	1=1.3mm (ONLY FOR 2 PIN) 2=0.9mm (ONLY FOR 4/5 PIN) 3=0.7mm (ONLY FOR 6/7/8 PIN) 4=0.5mm (ONLY FOR 9/10/14 PIN)
8	CONTACT PLATING	2=FOR MEDICAL
9	CABLE COLLET	1=Ø3.9mm (CABLEØ=2.7~3.9mm) 2=Ø5.2mm (CABLEØ=4.0~5.2mm) 3=Ø6.5mm (CABLEØ=5.3~6.5mm)
10	CODING	0= 0° A= 40° C= 60° E= 80° H= 170° J= 205°
11	NUMBER OF CONTACTS	02=2 PIN 03=3 PIN 04=4 PIN 05=5 PIN 06=6 PIN 07=7 PIN 08=8 PIN 09=9 PIN 10=10 PIN 14=14 PIN
12	LOGO	0="nexttron" LOGO AND "GRASP HERE" LOGO G=NO "nexttron" LOGO, WITH "GRASP HERE" LOGO

POSITIONS	VIEW FROM TERMINATION SIDE
2 PIN	
3 PIN	
4 PIN	
5 PIN	
6 PIN	
7 PIN	
8 PIN	
9 PIN	
10 PIN	
14 PIN	



NOTES :

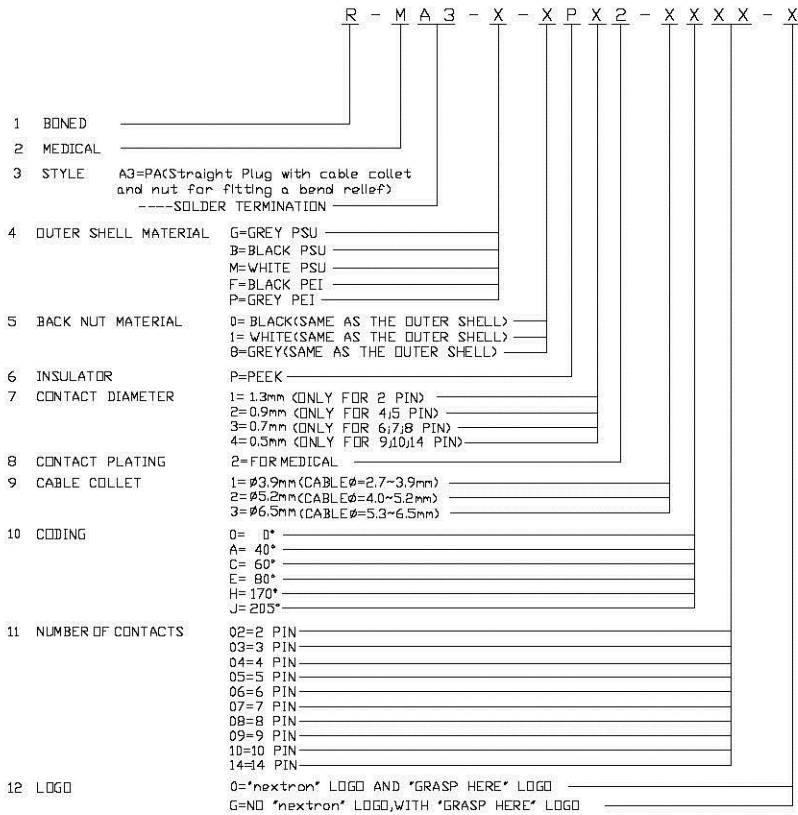
- 1.MATERIAL
OUTER SHELL : PSU/PEI
INSULATOR : PEEK
CONTACT : COPPER ALLOY
CABLE COLLET : PSU/PEI
BACK NUT : PSU/PEI
- 2.NUMBER OF CONTACT : 2 TO 14 POSITION
- 3.ALL DIMENSIONS ARE IN MILLIMETERS.
- 4.RoHS DIRECTIVE COMPLIANCE



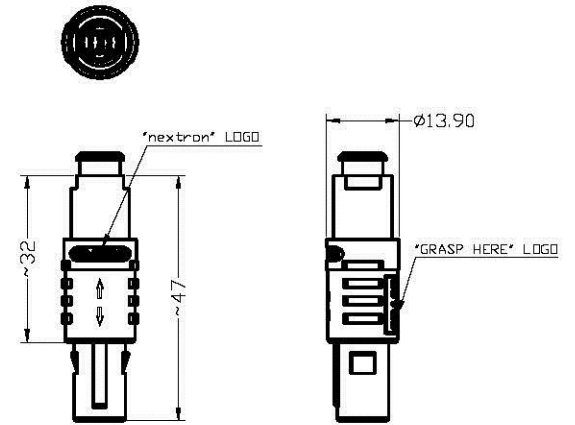
UNITS ■ mm □ INCH		NAME: Plastic SnapLatch (Straight Plug)		Allconnectors	
GENERAL TOLERANCES: (UNLESS SPECIFIED)		PART NO: RMA1XXPX2XXXXX		TITLE: CUSTOMER DWG.	
		APPD: 楊海文 07/16/14		DWG NO: 010-0000-458	
		CHKD: 羅旋 07/16/14		SCALE: SHEET: REV.:	
		DRAWN: 段小鋒 07/16/14		1/1 1/3 B3	
		ANGULAR: X° ± ** .X° ± **			

REV.	DESCRIPTION	DATE	APPD
B3	UPDATE DWG.	07/16/14	Seawen
B2	ADD NEW P/N	03/23/13	Seawen

SNAP LATCH ASSEMBLY P/N DESCRIPTION:

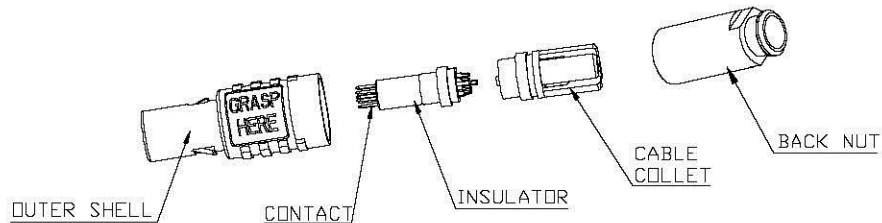


POSITIONS	VIEW FROM TERMINATION SIDE PIN PART
2 PIN	
3 PIN	
4 PIN	
5 PIN	
6 PIN	
7 PIN	
8 PIN	
9 PIN	
10 PIN	
14 PIN	



NOTES :

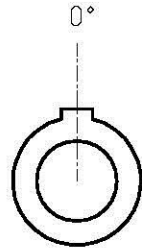
- 1.MATERIAL
OUTER SHELL : PSU/PEI
INSULATOR : PEEK
CONTACT : COPPER ALLOY
CABLE COLLET : PSU/PEI
BACK NUT : PSU/PEI
- 2.NUMBER OF CONTACT : 2 TO 14 POSITION
- 3.ALL DIMENSIONS ARE IN MILLIMETERS.
- 4.RoHS DIRECTIVE COMPLIANCE



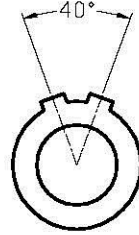
UNITS		NAME: SNAP LATCH (Straight Plug)	All Connectors	
mm	INCH		TITLE: CUSTOMER DWG.	
GENERAL TOLERANCES: (UNLESS SPECIFIED)		PART NO: RMA3XXPX2XXXXX	DWG NO: 010-0000-458	
4 PLACE	± **	APPD: 楊海文 07/16/14	SCALE: SHEET: REV.:	
3 PLACE	± **	CHKD: 羅旋 07/16/14	1/1	2/3
2 PLACE	± 0.20	DRAWN: 段小鋒 07/16/14	B3	
1 PLACE	± **			
ANGULAR:	X° ± **			

REV.	DESCRIPTION	DATE	APPD
B3	UPDATE DWG.	07/16/14	Seawen
B2	ADD NEW P/N	03/23/13	Seawen

CODING (PLUG FRONT VIEW):



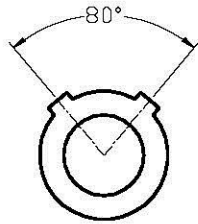
0



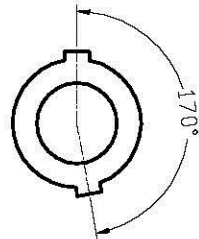
A



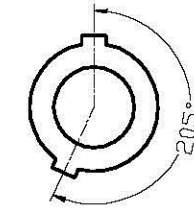
C



E



H



J

REV.	DESCRIPTION	DATE	APPD
B3	UPDATE DWG.	07/16/14	Seawen
B2	ADD NEW P/N	03/23/13	Seawen

UNITS		
<input checked="" type="checkbox"/> mm	<input type="checkbox"/> INCH	
GENERAL TOLERANCES: (UNLESS SPECIFIED)		
4 PLACE	± **	±. **
3 PLACE	± **	±. **
2 PLACE	± 0.20	±. **
1 PLACE	± **	±. **
ANGULAR:	X° ± **	X° ± **

NAME:	SNAP LATCH (Straight Plug)
PART NO:	RMAXXPX2XXXXX
APPD:	楊海文 07/16/14
CHKD:	羅旋 07/16/14
DRAWN:	段小鋒 07/16/14

TITLE: CUSTOMER DWG.		
DWG NO: 010-0000-458		C
SCALE: 1/1	SHEET: 3/3	REV: B3