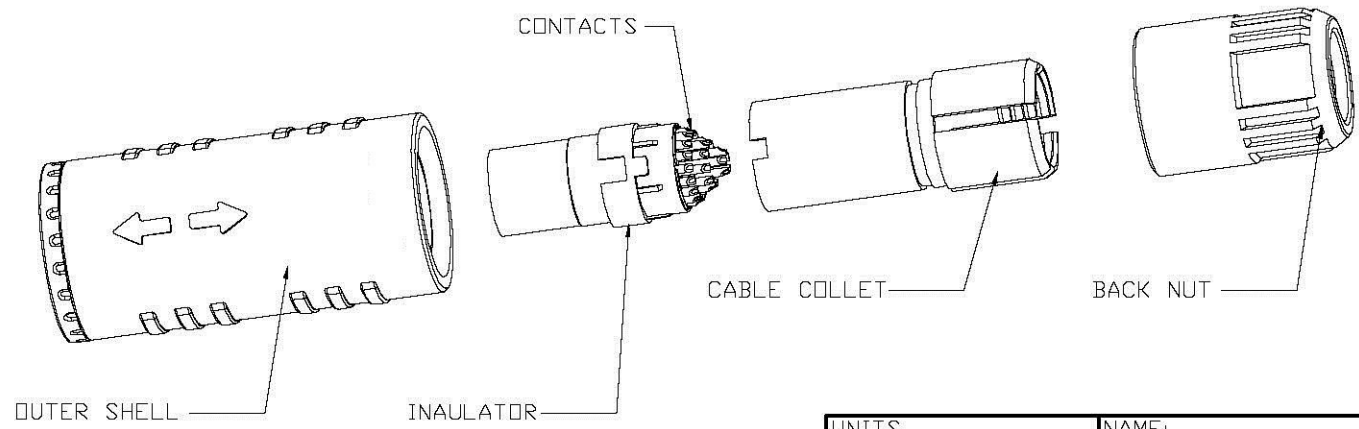


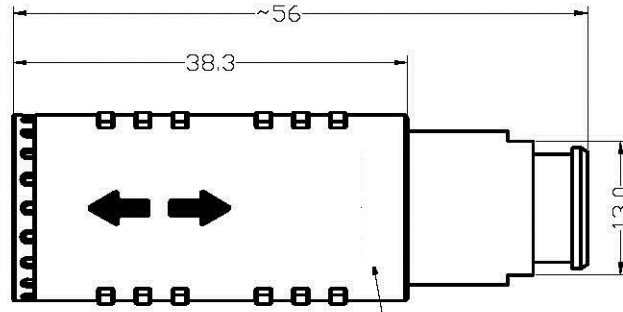
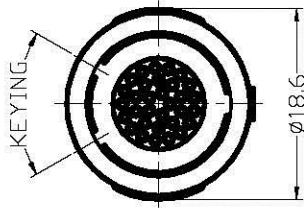
- NOTES :
- 1.MATERIAL
 OUTER SHELL : PSU/PEI
 INSULATOR : PEEK
 CONTACT : COPPER ALLOY
 CABLE COLLET : PSU/PEI
 NUT : PSU/PEI
 - 2.PLATING : Au ALL OVER NI
 - 3.ALL DIMENSIONS ARE IN MILLIMETERS
 - 4.INGRESS PROTECTION : IP50
 - 5.ENDURANCE : 1000CYCLES
 - 6.WORKING TEMPERATURE : -50~150°C
 - 7.AVERAGE RETENTION FORCE FOR STRAIGHT PLUG
 PULL ON THE BACK NUT : 100N MIN.
 - 8.TORQUE : 0.5Nm MAX.
 - 9.RoHS DIRECTIVE COMPLIANCE

LOGO



UNITS <input checked="" type="checkbox"/> mm <input type="checkbox"/> INCH		NAME: FREE SOCKET			
GENERAL TOLERANCES: (UNLESS SPECIFIED)		PART NO: R-MK1XXPXXXXXXX		TITLE: CUSTOMER DWG.	
	mm	INCH	APPD: Seawen06/10/14	DWG NO: 010-0000-C43	
4 PLACE	± **.**	± **.**	CHKD: Annie06/10/14	C	
3 PLACE	± **.**	± **.**	DRAWN: Tommy06/10/14	SCALE: SHEET: REV.:	
2 PLACE	± 0.30	± **.**		2/1	1/3
1 PLACE	± 0.50	± **.**			X1
ANGULAR: X°± 5° X°± **.**					

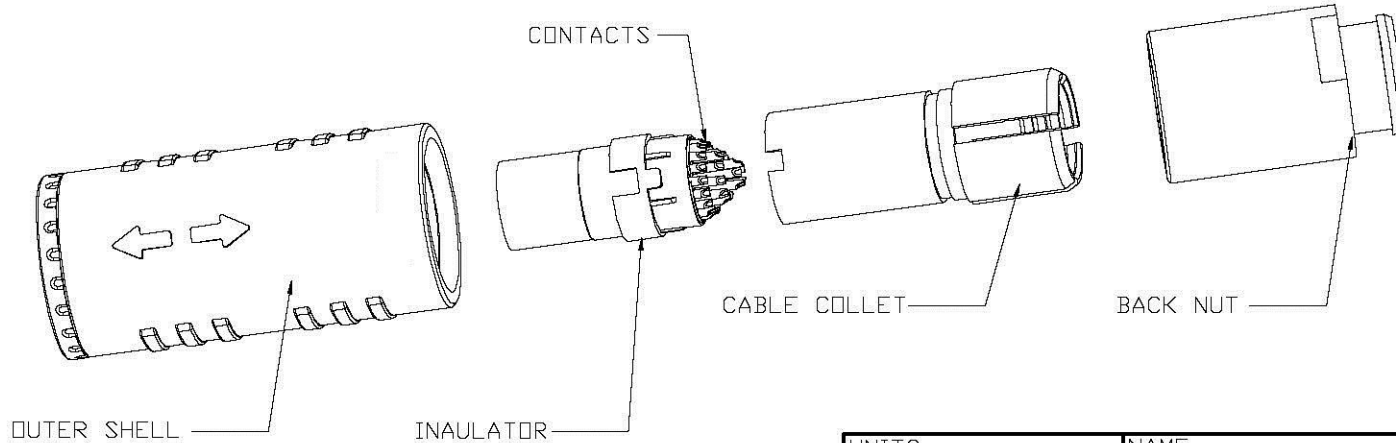
X1	NEW RELEASE	06/10/14	Seawen
REV.	DESCRIPTION	DATE	APPD



NOTES :

- 1.MATERIAL
 OUTER SHELL : PSU/PEI
 INSULATOR : PEEK
 CONTACT : COPPER ALLOY
 CABLE COLLET : PSU/PEI
 NUT : PSU/PEI
- 2.PLATING : Au ALL OVER Ni
- 3.ALL DIMENSIONS ARE IN MILLIMETERS
- 4.INGRESS PROTECTION : IP50
- 5.ENDURANCE : 1000CYCLES
- 6.WORKING TEMPERATURE : -50~150°C
- 7.AVERAGE RETENTION FORCE FOR STRAIGHT PLUG
 PULL ON THE BACK NUT : 100N MIN.
- 8.TORQUE : 0.5Nm MAX.
- 9.RoHS DIRECTIVE COMPLIANCE

LOGO



UNITS	
<input checked="" type="checkbox"/> mm	<input type="checkbox"/> INCH
GENERAL TOLERANCES: (UNLESS SPECIFIED)	
	mm INCH
4 PLACE	± **. ** ±. **. **
3 PLACE	± **. ** ±. **. **
2 PLACE	± 0.30 ±. **. **
1 PLACE	± 0.50 ±. **. **
ANGULAR:	X° ± 5° X° ± **. **

NAME:	FREE SOCKET
PART NO:	R-MK3XXPXXXXXXXX
APPD:	Seawen06/10/14
CHKD:	Annie06/10/14
DRAWN:	Tommy06/10/14

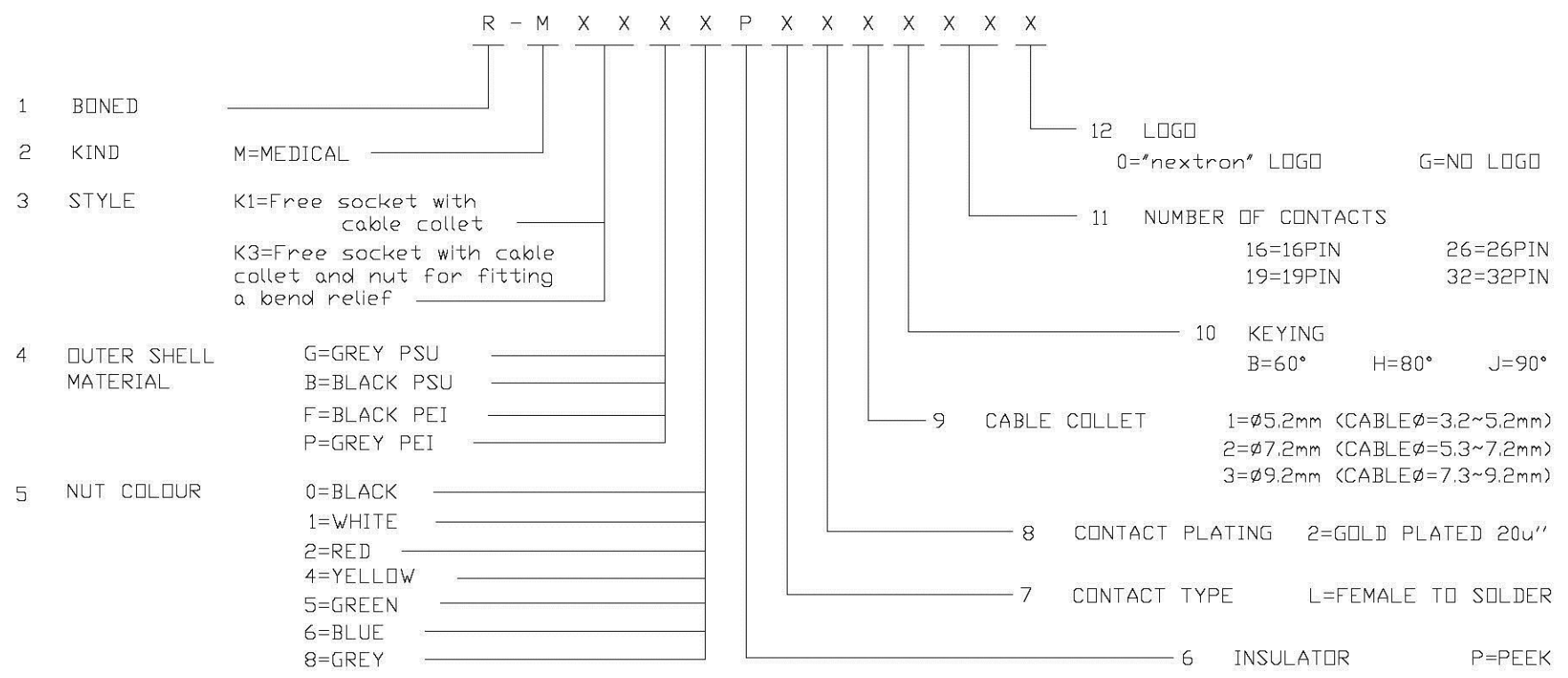
TITLE: CUSTOMER DWG.	
DWG NO:	010-0000-C43
SCALE:	SHEET: REV.:
2/1	2/3 X1

X1	NEW RELEASE	06/10/14	Seawen
REV.	DESCRIPTION	DATE	APPD

1 2 3 4 5 6 7 8

A
B
C
D
E

A
B
C
D
E



NUMBER OF CONTACTS	16	19	26	32
VIEW FROM TERMINATION SIDE				
CONTACT ∅(mm)	0.7	0.7	0.5	0.5
SOLDER BUCKET ∅(mm)	0.8	0.8	0.4	0.4
TEST VOLTAGE(KV rms)	1.5	1.4	1.0	0.7
RATED CURRENT(A)	6	5	2	1.5
CONTACT RESISTANCE(mΩ)	<6.5	<6.5	<8.5	<8.5

UNITS mm INCH	NAME: FREE SOCKET		
GENERAL TOLERANCES: (UNLESS SPECIFIED)	PART NO: R-MKXXXXPXXXXXX	TITLE: CUSTOMER DWG.	
4 PLACE ± ** ± **	APPD: Seawen06/10/14	DWG NO: 010-0000-C43	
3 PLACE ± ** ± **	CHKD: Annie06/10/14	C	
2 PLACE ± 0.30 ± **	DRAWN: Tommy06/10/14	SCALE: SHEET: REV:!	
1 PLACE ± 0.50 ± **		2/1 3/3 X1	
ANGULAR: X°± 5° X°± **			

REV.	DESCRIPTION	DATE	APPD
X1	NEW RELEASE	06/10/14	Seawen