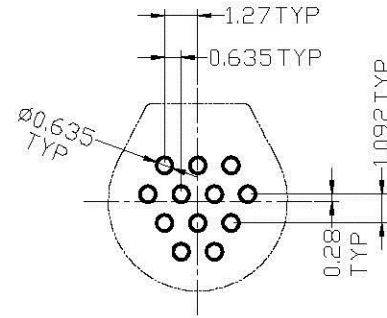
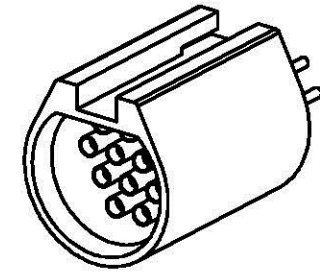


NOTE:

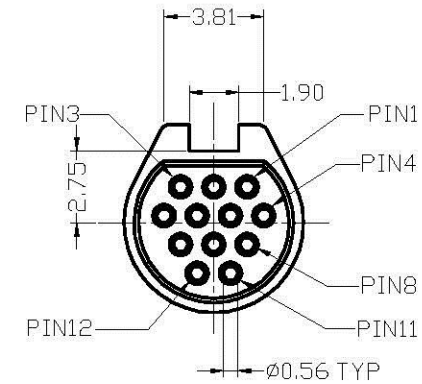
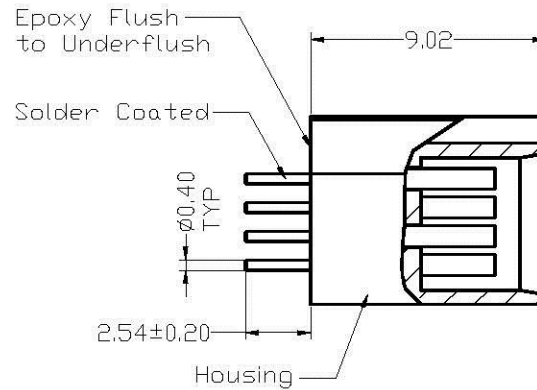
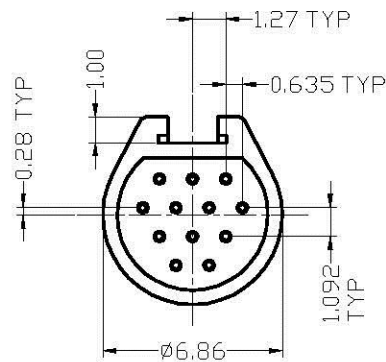
- 1.MATERIAL:
HOUSING: LCP Natural
CONTACT: Copper Alloy PCB Print Style
- 2.PLATING: 1.27um MIN. GOLD PLATED OVER 1.27um MIN. NICKEL.
- 3.ELECTRICAL CHARACTERISTICS
Current Rating: 3 amps max
Dielectric Withstanding Voltage: 600 VAC r.m.s
Insulation Resistance: 5000 Meg ohms min @ 500 VDC
Contact Resistance: 26 milliohms (65 mv) max @ 2.5 amps
- 4.MECHANICAL REQUIREMENT
Mating/Unmating Force: Forces not to exceed 6 oz/contact
Durability: 500 cycles
- 5.RoHS DIRECTIVE COMPLIANCE.



PCB drilling pattern



3D View



UNITS <input checked="" type="checkbox"/> mm <input type="checkbox"/> INCH		NAME: MICRO MEDICAL CONNECTOR FEMALE 12/12P		 <small>www.allconnectors.de Tel.: +49 781 709490 info@allconnectors.de</small>	
GENERAL TOLERANCES: (UNLESS SPECIFIED)		PART NO: RMB5L0P130012B		TITLE: CUSTOMER DWG.	
	mm	INCH	APPD: Seawen 8/7/14		DWG NO: 010-0000-C47
4 PLACE	±.***	±.***	CHKD: Annie 8/7/14		C
3 PLACE	±.010	±.***	DRAWN: Camby 8/7/14		
2 PLACE	±.010	±.***			
1 PLACE	±.020	±.***			
ANGULAR:	X°± 2°	X°±**			SCALE: SHEET: REV.: 4/1 1/1 X1

X1	FIRST RELEASE	8/7/14	Seawen
REV.	DESCRIPTION	DATE	APPD