

NOTE:

1.MATERIAL:

HOUSING: LCP Natural
CONTACT: Copper Alloy PCB Print Style

2.PLATING: 1.27um MIN. GOLD PLATED ON CONTACT AREA,
0.075um MIN. GOLD PLATED ON SOLDER AREA ,
WITH ENTIRE CONTACT UNDERPLATED 1.27um MIN. NICKEL.

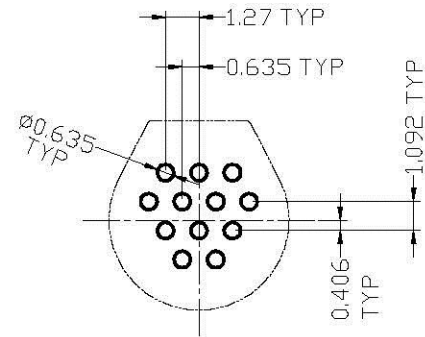
3.ELECTRICAL CHARACTERISTICS

Current Rating: 3 amps max
Dielectric Withstanding Voltage: 600 VAC r.m.s
Insulation Resistance: 5000 Meg ohms min @ 500 VDC
Contact Resistance: 26 milliohms (65 mv) max @ 2.5 amps

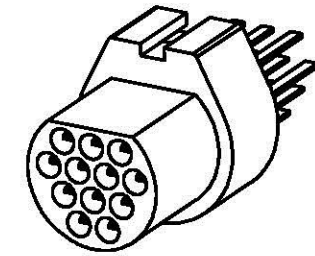
4.MECHANICAL REQUIREMENT

Mating/Unmating Force: Forces not to exceed 6 oz/contact
Durability: 500 cycles

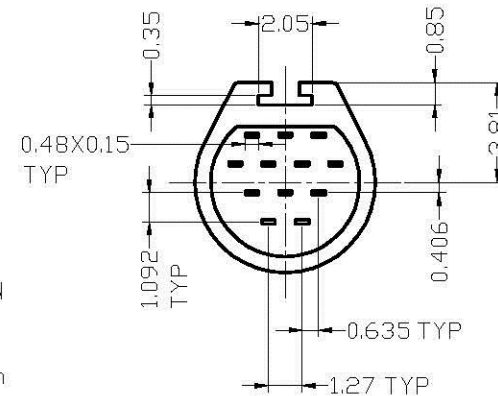
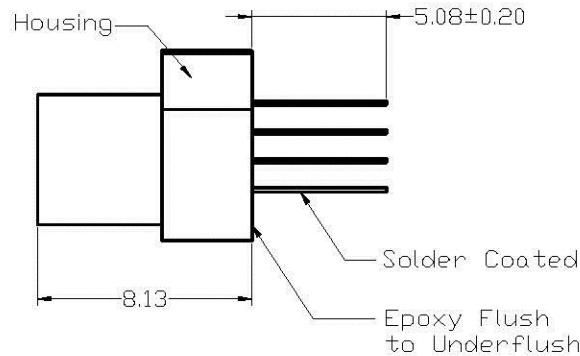
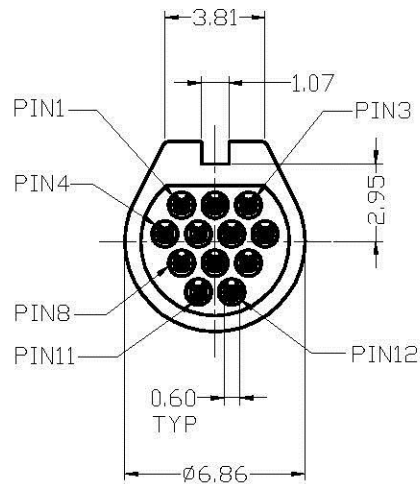
5.RoHS DIRECTIVE COMPLIANCE.



PCB drilling pattern



3D View



UNITS	
<input checked="" type="checkbox"/> mm	<input type="checkbox"/> INCH
GENERAL TOLERANCES: (UNLESS SPECIFIED)	
	mm INCH
4 PLACE	±.*** ±.***
3 PLACE	±0.10 ±.***
2 PLACE	±0.10 ±.***
1 PLACE	±0.20 ±.***
ANGULAR:	X°±2° X°±**

NAME: MICRO MEDICAL CONNECTOR MALE 12/12P
PART NO: RMA5L0P130012B
APPD: Seawen 8/7/14
CHKD: Annie 8/7/14
DRAWN: Camby 8/7/14

TITLE: CUSTOMER DWG.		
DWG NO: 010-0000-C46		C
SCALE: 4/1	SHEET: 1/1	REV.: X1

X1	FIRST RELEASE	8/7/14	Seawen
REV.	DESCRIPTION	DATE	APPD